



Malaguti

IDEE IN MOTO

MADISON 3 250 I.E. EURO 3



TELAIO - INDICE TAVOLE

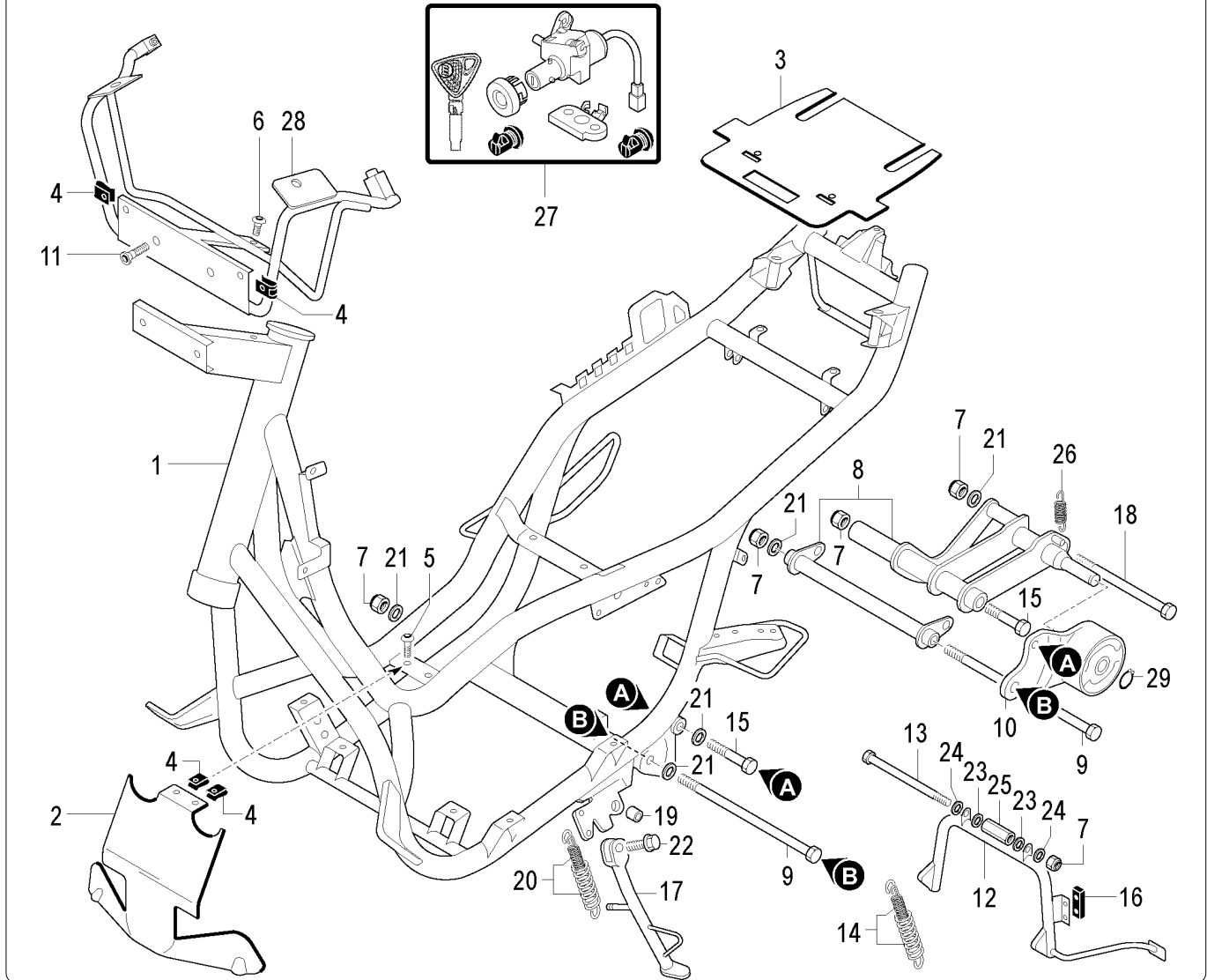
FRAME - INDEX OF THE TABLES

| | | | | |
|-----------------------|-------------------|-----------------------|-------------------------|-------------------|
| TAV. A (1) | TAV. B | TAV. C (1) | TAV. D (1-2) | TAV. E |
| TAV. F | TAV. G | TAV. H (1) | TAV. I (1) | TAV. L |
| TAV. M | TAV. N | TAV. OO | TAV. O | |

MOTORE - INDICE TAVOLE

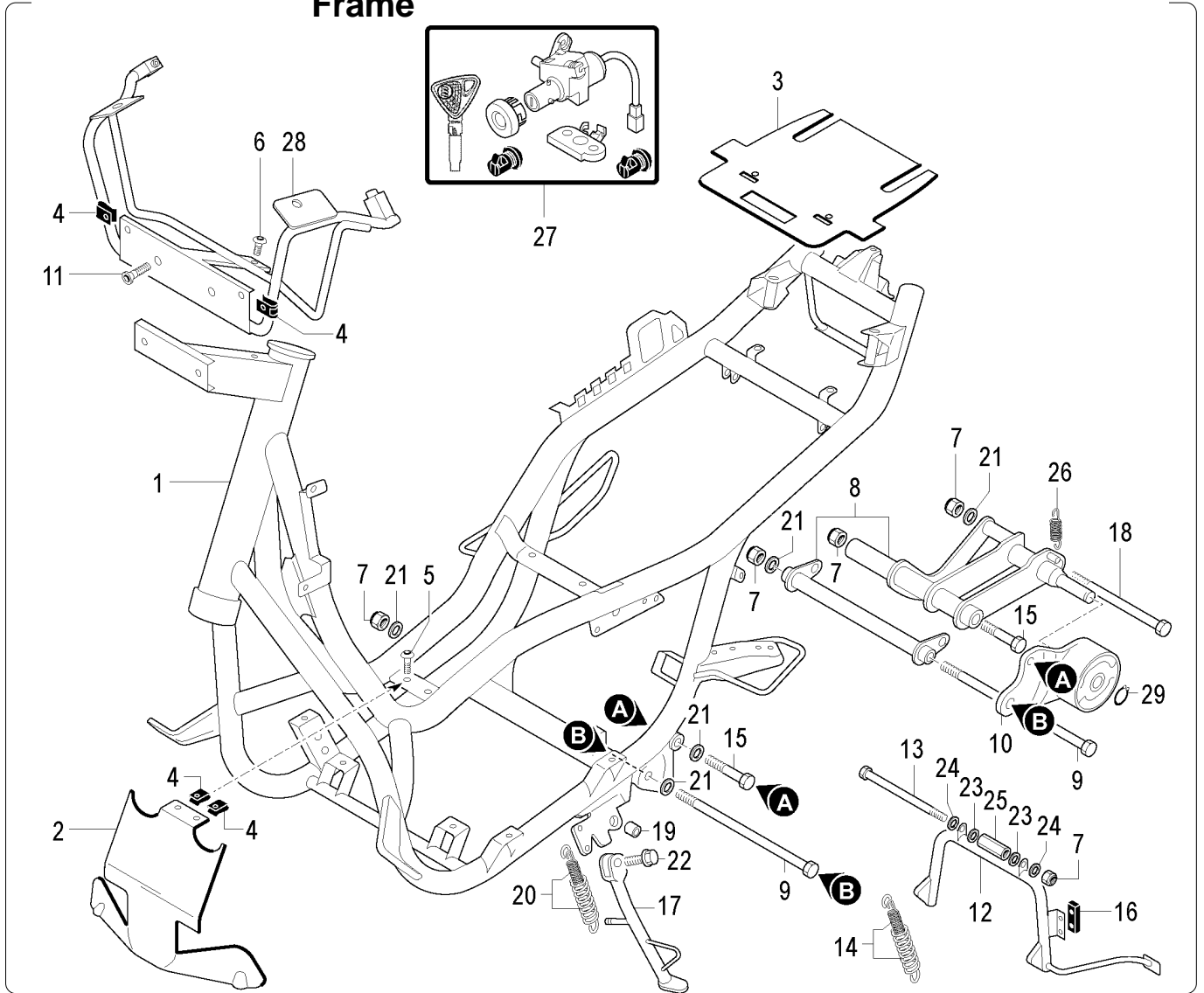
ENGINE - INDEX OF THE TABLES

| | | | | |
|-----------------------|---------------------|-----------------------|-----------------------|-------------------------|
| TAV. R (1) | TAV. R 2 | TAV. S (1) | TAV. T (1) | TAV. U (1-2) |
|-----------------------|---------------------|-----------------------|-----------------------|-------------------------|

Telaio
Frame


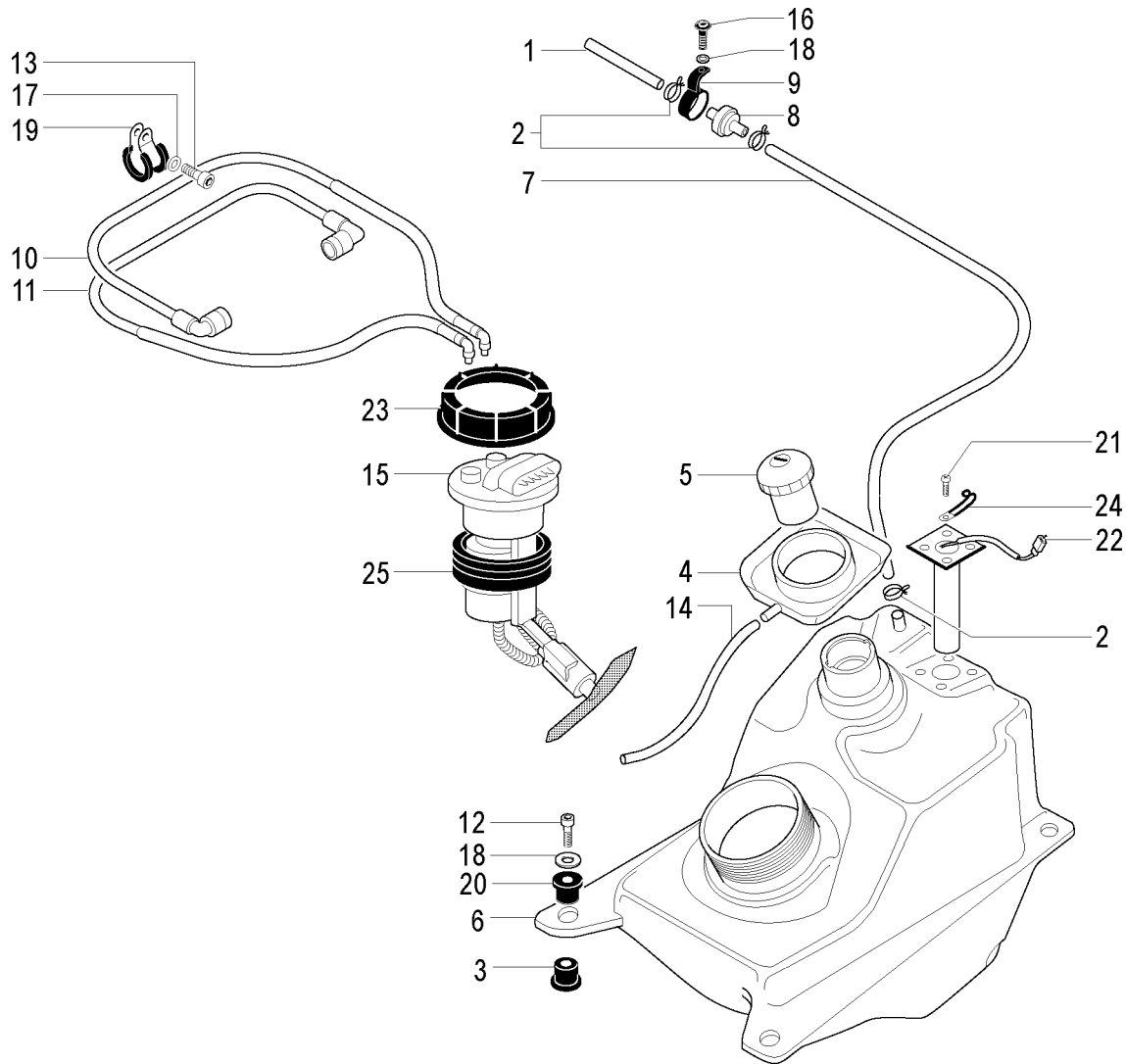
| Nr. | Codice | Q.tà | Descrizione |
|-----|------------|------|--------------------------------------|
| 1 | 156.129.99 | 1 | Telaio |
| 2 | 071.733.03 | 1 | Convogliatore protezione serbatoio |
| 3 | 057.075.03 | 1 | Paratia protezione fanali posteriori |
| 4 | 184.201.00 | 10 | Clip |
| 5 | 184.358.00 | 2 | Vite |
| 6 | 184.357.00 | 1 | Vite |
| 7 | 185.025.00 | 6 | Dado braccio oscillante |
| 8 | 174.037.99 | 1 | Attacco motore completo |
| 9 | 190.055.13 | 1 | Perno supporto attacco motore |
| 10 | 174.036.99 | 1 | Staffa braccio oscillante |
| 11 | 184.370.00 | 2 | Vite |
| 12 | 158.075.99 | 1 | Cavalletto centrale completo |
| 13 | 184.275.13 | 1 | Perno cavalletto centrale |
| 14 | 147.109.13 | 1 | Doppia molla cavalletto centrale |
| 15 | 184.283.13 | 1 | Vite supporto motore |
| 16 | 072.235.03 | 1 | Gommino cavalletto |
| 17 | 159.081.99 | 1 | Cavalletto laterale completo |
| 18 | 184.280.13 | 1 | Vite fissaggio attacco motore |
| 19 | 150.236.14 | 1 | Boccola cavalletto laterale |
| 20 | 147.128.13 | 1 | Doppia molla cavalletto laterale |
| 21 | 184.094.13 | 5 | Rondella attacco motore |
| 22 | 184.213.14 | 1 | Vite fissaggio cavalletto laterale |
| 23 | 072.170.00 | 2 | O-Ring |
| 24 | 150.341.13 | 2 | Rondella cavalletto |
| 25 | 150.307.00 | 1 | Distanziale cavalletto centrale |

| Nr. | Code | Q.ty | Description |
|-----|------------|------|-------------------------|
| 1 | 156.129.99 | 1 | Frame |
| 2 | 071.733.03 | 1 | Petrol tank cover |
| 3 | 057.075.03 | 1 | Tail light protection |
| 4 | 184.201.00 | 10 | Clip |
| 5 | 184.358.00 | 2 | Screw |
| 6 | 184.357.00 | 1 | Screw |
| 7 | 185.025.00 | 6 | Lower engine mount bolt |
| 8 | 174.037.99 | 1 | Engine mount bracket |
| 9 | 190.055.13 | 1 | Engine bracket pivot |
| 10 | 174.036.99 | 1 | Swinging arm bracket |
| 11 | 184.370.00 | 2 | Screw |
| 12 | 158.075.99 | 1 | Main stand assy |
| 13 | 184.275.13 | 1 | Main stand bolt |
| 14 | 147.109.13 | 1 | Main stand spring |
| 15 | 184.283.13 | 1 | Engine mount screw |
| 16 | 072.235.03 | 1 | Main stand rubber cover |
| 17 | 159.081.99 | 1 | Side stand |
| 18 | 184.280.13 | 1 | Fixing screw |
| 19 | 150.236.14 | 1 | Side stand bush |
| 20 | 147.128.13 | 1 | Side stand spring |
| 21 | 184.094.13 | 5 | Washer |
| 22 | 184.213.14 | 1 | Side stand fixing screw |
| 23 | 072.170.00 | 2 | O-Ring |
| 24 | 150.341.13 | 2 | Washer |
| 25 | 150.307.00 | 1 | Spacer |

**Telaio
Frame**


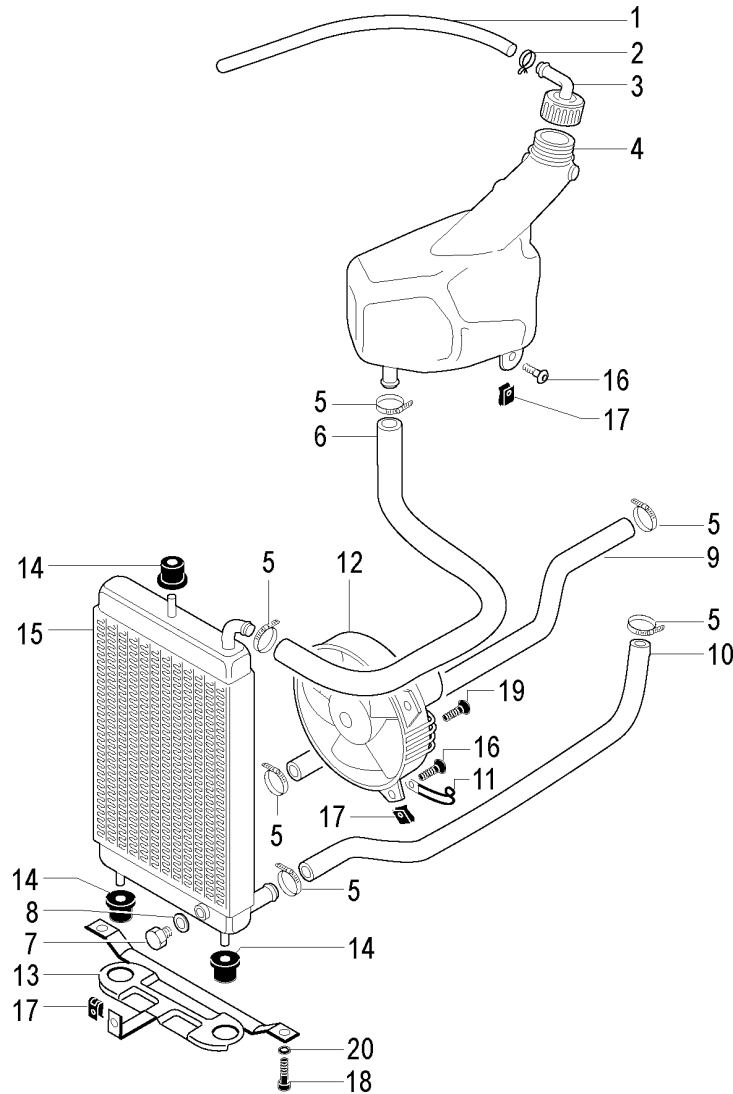
| Nr. | Codice | Q.tà | Descrizione |
|-----|------------|------|----------------------------------|
| 26 | 147.145.15 | 1 | Molla reazione motore |
| 27 | 090.080.00 | 1 | Kit serrature |
| 28 | 191.143.13 | 1 | Telaio supporto scudo |
| 29 | 184.285.00 | 1 | Seeger staffa braccio oscillante |

| Nr. | Code | Q.ty | Description |
|-----|------------|------|----------------------|
| 26 | 147.145.15 | 1 | Engine spring |
| 27 | 090.080.00 | 1 | Lock set |
| 28 | 191.143.13 | 1 | Front shield bracket |
| 29 | 184.285.00 | 1 | Seeger |

Serbatoio benzina & pompa benzina
Fuel tank & fuel pump


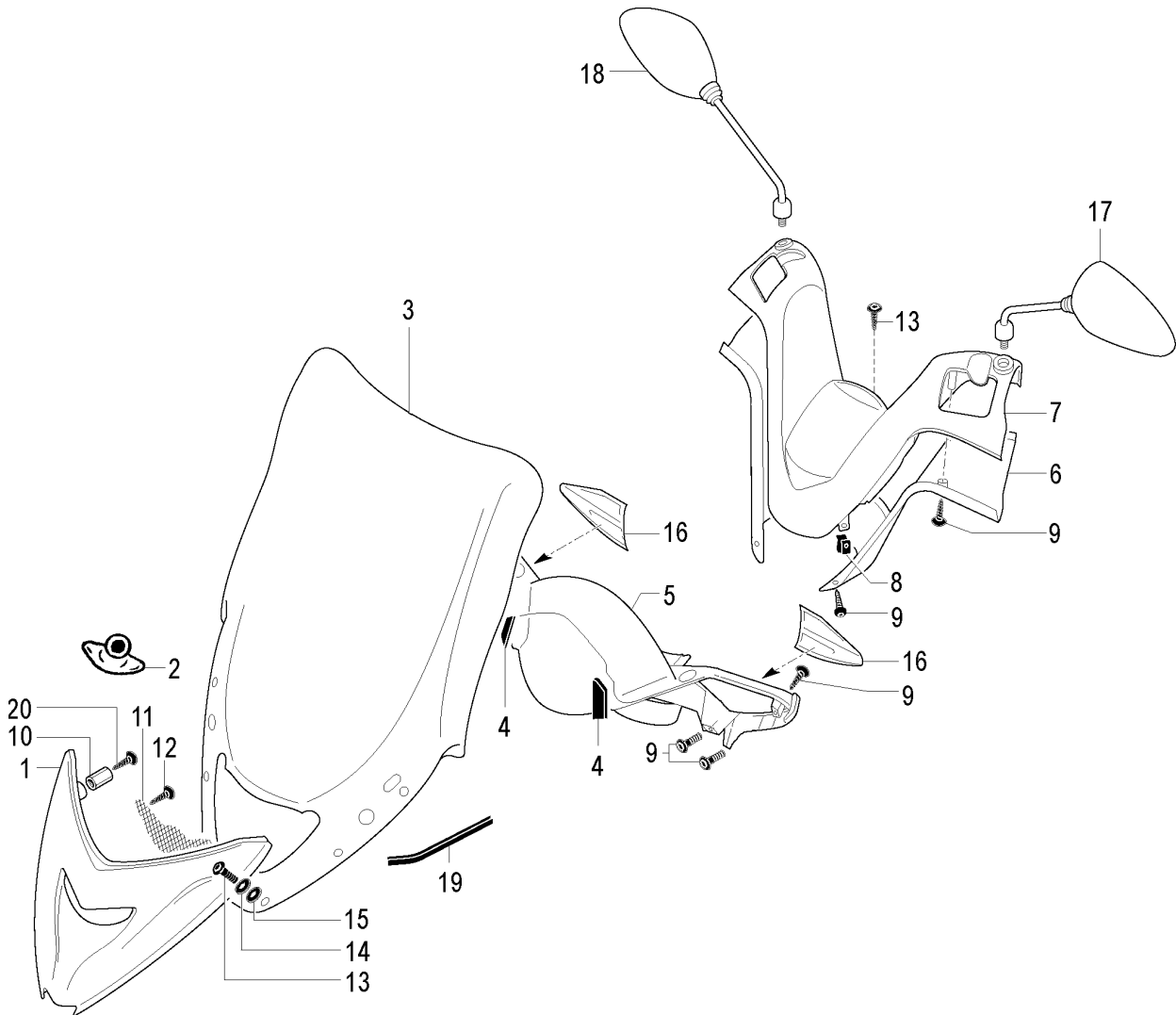
| Nr. | Codice | Q.tà | Descrizione |
|-----|------------|------|--------------------------------|
| 1 | 180.010.55 | 1 | Tubo benzina |
| 2 | 167.018.13 | 3 | Fascetta |
| 3 | 075.010.00 | 4 | Gommino serbatoio |
| 4 | 071.910.03 | 1 | Vaschetta raccogli goccia |
| 5 | 092.031.00 | 1 | Tappo serbatoio |
| 6 | 161.089.00 | 1 | Serbatoio |
| 7 | 180.002.54 | 1 | Tubo benzina |
| 8 | 094.013.00 | 1 | Kit valvola scarico vapori |
| 9 | 072.006.00 | 1 | Gommino supporto valvola |
| 10 | 180.087.00 | 1 | Tubo mandata carburante |
| 11 | 180.088.00 | 1 | Tubo ritorno carburante |
| 12 | 184.357.00 | 4 | Vite fissaggio serbatoio |
| 13 | 184.035.15 | 1 | Vite |
| 14 | 180.003.60 | 1 | Tubo benzina |
| 15 | 093.094.00 | 1 | Pompa benzina |
| 15 | 093.105.00 | 1 | Pompa benzina (da Novembre 08) |
| 16 | 184.396.00 | 1 | Vite |
| 17 | 184.079.13 | 1 | Rondella |
| 18 | 184.051.13 | 5 | Rondella |
| 19 | 147.170.13 | 1 | Vincolo tubi iniezione |
| 20 | 150.306.13 | 4 | Boccola serbatoio |
| 21 | 184.009.00 | 4 | Vite sonda livello benzina |
| 22 | 093.076.00 | 1 | Sonda livello benzina |
| 23 | 092.036.00 | 1 | Ghiera |
| 24 | 167.039.00 | 1 | Fascetta |
| 25 | 072.307.00 | 1 | Guarnizione pompa benzina |

| Nr. | Code | Q.ty | Description |
|-----|------------|------|------------------------------|
| 1 | 180.010.55 | 1 | Fuel hose |
| 2 | 167.018.13 | 3 | Clamp |
| 3 | 075.010.00 | 4 | Rubber grommet |
| 4 | 071.910.03 | 1 | Fuel tank drop box |
| 5 | 092.031.00 | 1 | Fuel tank cap |
| 6 | 161.089.00 | 1 | Petrol tank |
| 7 | 180.002.54 | 1 | Fuel hose |
| 8 | 094.013.00 | 1 | Breather valve set |
| 9 | 072.006.00 | 1 | Rubber |
| 10 | 180.087.00 | 1 | Fuel delivery pipe |
| 11 | 180.088.00 | 1 | Fuel return pipe |
| 12 | 184.357.00 | 4 | Fuel tank fixing screw |
| 13 | 184.035.15 | 1 | Screw |
| 14 | 180.003.60 | 1 | Fuel hose |
| 15 | 093.094.00 | 1 | Fuel pump |
| 15 | 093.105.00 | 1 | Fuel pump (from November 08) |
| 16 | 184.396.00 | 1 | Screw |
| 17 | 184.079.13 | 1 | Washer |
| 18 | 184.051.13 | 5 | Washer |
| 19 | 147.170.13 | 1 | Injection pipe bracket |
| 20 | 150.306.13 | 4 | Bush |
| 21 | 184.009.00 | 4 | Screw |
| 22 | 093.076.00 | 1 | Fuel level gauge |
| 23 | 092.036.00 | 1 | Rim |
| 24 | 167.039.00 | 1 | Clamp |
| 25 | 072.307.00 | 1 | Gasket |



| Nr. | Codice | Q.tà | Descrizione |
|-----|------------|------|-------------------------------------|
| 1 | 180.002.54 | 1 | Tube sfiato tappo |
| 2 | 167.018.13 | 2 | Fascetta tubo sfiato |
| 3 | 071.219.03 | 1 | Tappo vaso espansione |
| 4 | 108.050.00 | 1 | Vaso espansione |
| 5 | 167.031.00 | 6 | Fascetta stringitubo |
| 6 | 077.077.00 | 1 | Manicotto radiatore-vaso espansione |
| 7 | 071.525.03 | 1 | Tappo ottone |
| 8 | 190.049.00 | 1 | Rondella rame |
| 9 | 077.078.00 | 1 | Tubo mandata motore-radiatore |
| 10 | 077.079.00 | 1 | Tubo ritorno radiatore-motore |
| 11 | 167.077.00 | 2 | Fascetta plastificata |
| 12 | 024.081.00 | 1 | Elettroventola |
| 13 | 310.851.00 | 1 | Piastra fissaggio radiatore |
| 14 | 075.021.00 | 3 | Silentblock |
| 15 | 108.063.00 | 1 | Radiatore |
| 16 | 184.254.15 | 4 | Vite fissaggio |
| 17 | 184.201.00 | 6 | Clips per vite |
| 18 | 184.036.13 | 2 | Vite fissaggio |
| 19 | 184.357.00 | 1 | Vite fissaggio |
| 20 | 184.052.13 | 2 | Rondella |

| Nr. | Code | Q.ty | Description |
|-----|------------|------|----------------------|
| 1 | 180.002.54 | 1 | Breather pipe |
| 2 | 167.018.13 | 2 | Breather pipe clamp |
| 3 | 071.219.03 | 1 | Expansion tank cap |
| 4 | 108.050.00 | 1 | Expansion tank |
| 5 | 167.031.00 | 6 | Clamp |
| 6 | 077.077.00 | 1 | Sleeve |
| 7 | 071.525.03 | 1 | Plug |
| 8 | 190.049.00 | 1 | Washer |
| 9 | 077.078.00 | 1 | Delivery pipe |
| 10 | 077.079.00 | 1 | Return pipe |
| 11 | 167.077.00 | 2 | Clamp |
| 12 | 024.081.00 | 1 | Electric fan |
| 13 | 310.851.00 | 1 | Water cooler bracket |
| 14 | 075.021.00 | 3 | Silentblock |
| 15 | 108.063.00 | 1 | Water cooler |
| 16 | 184.254.15 | 4 | Fixing screw |
| 17 | 184.201.00 | 6 | Clips |
| 18 | 184.036.13 | 2 | Fixing screw |
| 19 | 184.357.00 | 1 | Fixing screw |
| 20 | 184.052.13 | 2 | Washer |

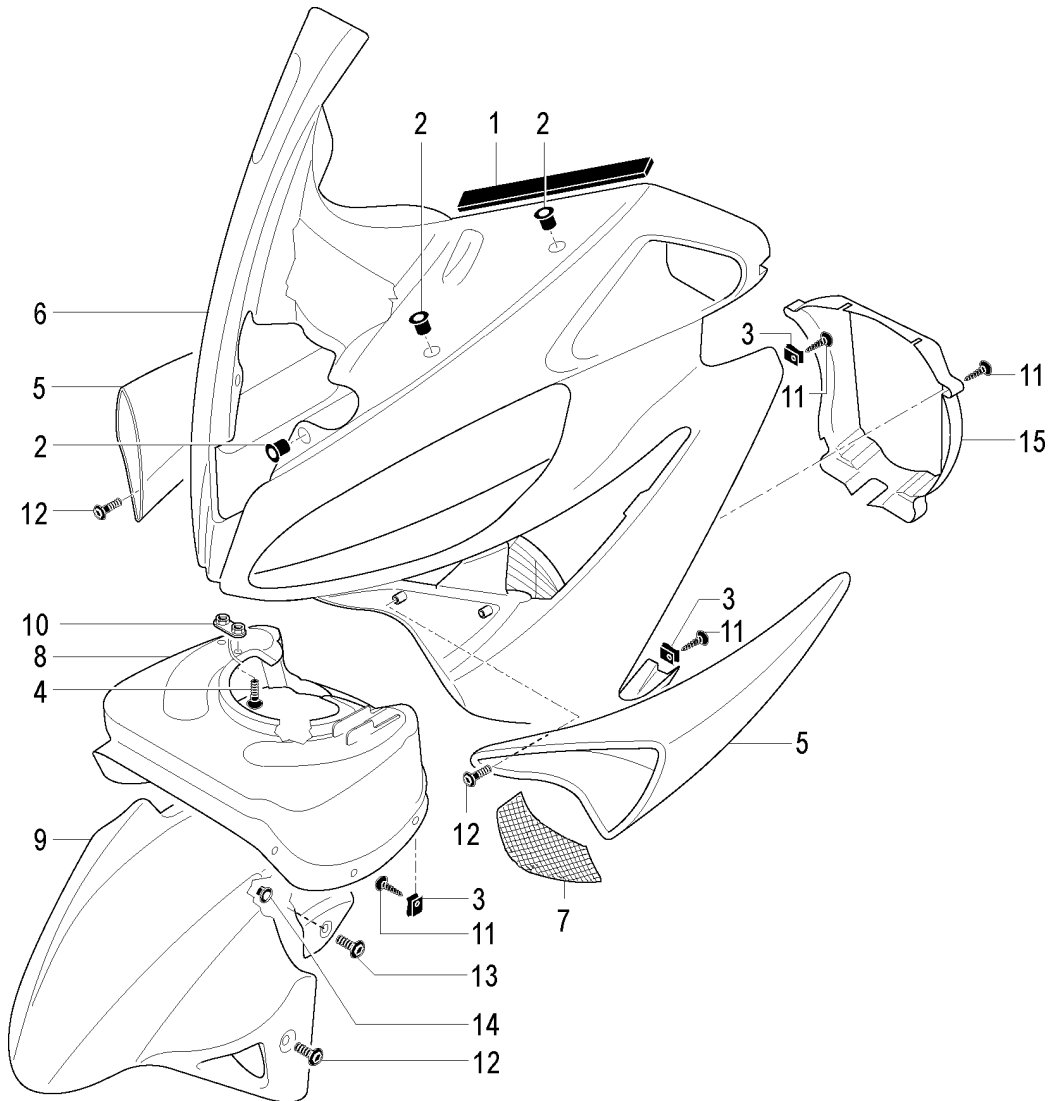


| Nr. | Codice | Q.tà | Descrizione |
|-----|-------------|------|---------------------------------|
| 1 | 066.266.73 | 1 | Scudo centrale |
| 2 | 181.411.00 | 1 | Etichetta scudo |
| 3 | 063.266.00 | 1 | Lastra parabrezza |
| 4 | 072.258.00 | 2 | Guarnizione scudo - parabrezza |
| 5 | 071.906.03 | 1 | Cornice cruscotto |
| 6 | 071.714.03 | 1 | Coprimanubrio inferiore |
| 7 | 071.715.03 | 1 | Coprimanubrio superiore |
| 8 | 184.007.00 | 50 | Clips in dacromet |
| 9 | 184.358.00 | 10 | Vite |
| 10 | 300.421.13 | 2 | Distanziale scudo centrale |
| 11 | 071.748.03 | 1 | Griglia scudo centrale |
| 12 | 184.377.00 | 2 | Vite |
| 13 | 184.357.00 | 9 | Vite parabrezza |
| 14 | 184.051.13 | 2 | Rondella |
| 15 | 184.052.13 | 2 | Rondella |
| 16 | 071.911.03 | 1 | Cp. coperchi frecce |
| 17 | 088.040.03 | 1 | Specchio sx |
| 18 | 088.041.03 | 1 | Specchio dx |
| 19 | 072.175.00 | 1 | Protezione cruscotto |
| 20 | 184.413.13 | 2 | Vite scudo centrale |
| -- | 181.459. -- | 1 | Sr. marche MADISON RS 250 I.E.* |

| Nr. | Code | Q.ty | Description |
|-----|-------------|------|---------------------------------|
| 1 | 066.266.73 | 1 | Central shield |
| 2 | 181.411.00 | 1 | Shield label |
| 3 | 063.266.00 | 1 | Windscreen |
| 4 | 072.258.00 | 2 | Gasket |
| 5 | 071.906.03 | 1 | Dashboard rim |
| 6 | 071.714.03 | 1 | Handlebar cover (lower) |
| 7 | 071.715.03 | 1 | Handlebar cover (upper) |
| 8 | 184.007.00 | 50 | Clips |
| 9 | 184.358.00 | 10 | Screw |
| 10 | 300.421.13 | 2 | Spacer |
| 11 | 071.748.03 | 1 | Grille |
| 12 | 184.377.00 | 2 | Screw |
| 13 | 184.357.00 | 9 | Screw |
| 14 | 184.051.13 | 2 | Washer |
| 15 | 184.052.13 | 2 | Washer |
| 16 | 071.911.03 | 1 | Indicators cover set |
| 17 | 088.040.03 | 1 | L/h mirror |
| 18 | 088.041.03 | 1 | R/h mirror |
| 19 | 072.175.00 | 1 | Dashboard protection |
| 20 | 184.413.13 | 2 | Screw |
| -- | 181.459. -- | 1 | MADISON RS 250 I.E. label set * |

* Vedi tavola N° 00 Colori

* Refer to N° 00 colour table

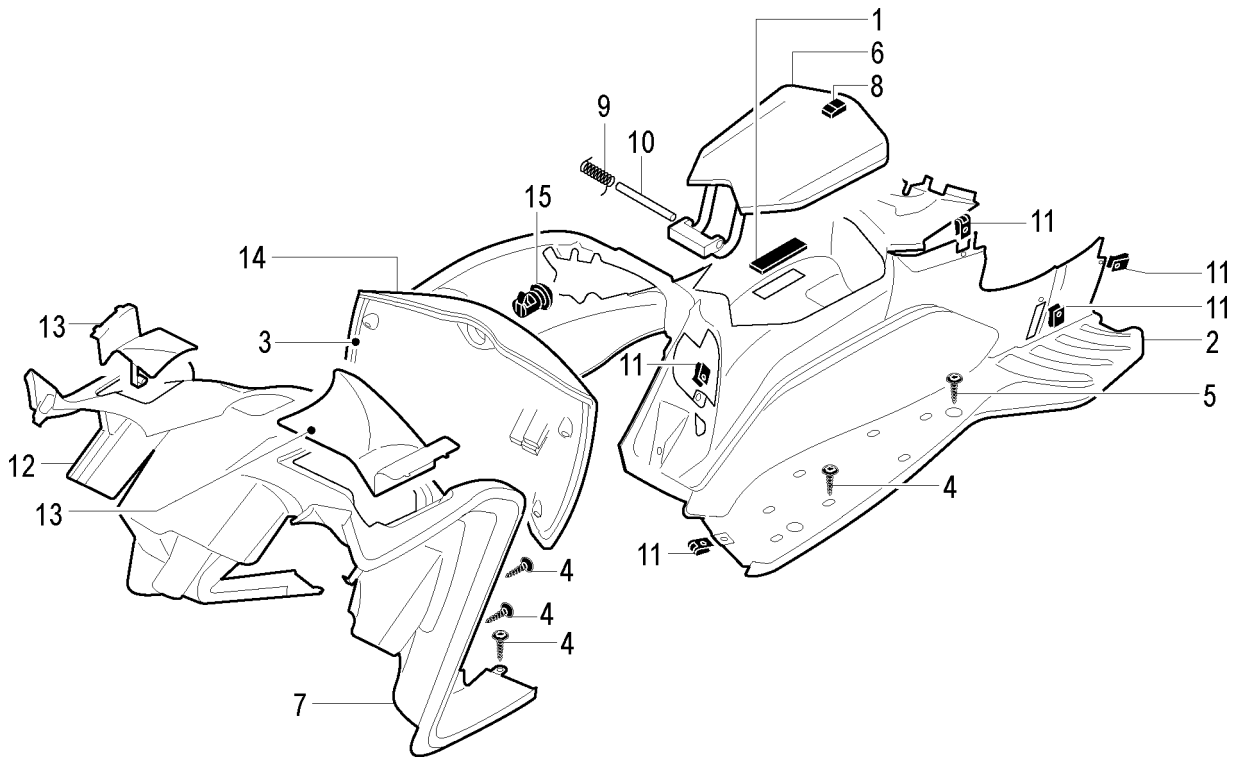
Carrozzeria anteriore
Front body


| Nr. | Codice | Q.tà | Descrizione |
|-----|------------|------|---------------------------------|
| 1 | 072.263.00 | 2 | Guarnizione scudo parabrezza |
| 2 | 075.028.00 | 6 | Boccola antivibrante |
| 3 | 184.007.00 | 50 | Clips in dacromet |
| 4 | 184.358.00 | 4 | Vite |
| 5 | 071.909.-- | 1 | Prese d'aria in coppia * |
| 6 | 066.263.-- | 1 | Scudo * |
| 7 | 071.717.00 | 1 | Kit griglie acciaio inox |
| 8 | 055.071.03 | 1 | Parafango sottoscudo |
| 9 | 055.072.-- | 1 | Parafango anteriore * |
| 10 | 191.036.13 | 2 | Piastrina unione sottoscudo |
| 11 | 184.377.00 | 10 | Vite autofilettante inox |
| 12 | 184.357.00 | 11 | Vite parafango |
| 13 | 184.303.13 | 2 | Vite |
| 14 | 185.039.00 | 2 | Dado |
| 15 | 071.726.03 | 1 | Convogliatore aria radiatore |
| -- | 181.459.-- | 1 | Sr. marche MADISON RS 250 I.E.* |

| Nr. | Code | Q.ty | Description |
|-----|------------|------|---------------------------------|
| 1 | 072.263.00 | 2 | Gasket set |
| 2 | 075.028.00 | 6 | Windscreen mounting bush |
| 3 | 184.007.00 | 50 | Clips |
| 4 | 184.358.00 | 4 | Screw |
| 5 | 071.909.-- | 1 | Air intake covers set * |
| 6 | 066.263.-- | 1 | Front shield * |
| 7 | 071.717.00 | 1 | Grille set |
| 8 | 055.071.03 | 1 | Inner front mudguard |
| 9 | 055.072.-- | 1 | Front mudguard * |
| 10 | 191.036.13 | 2 | Bracket plate |
| 11 | 184.377.00 | 10 | Screw |
| 12 | 184.357.00 | 11 | Screw |
| 13 | 184.303.13 | 2 | Screw |
| 14 | 185.039.00 | 2 | Nut |
| 15 | 071.726.03 | 1 | Air shroud |
| -- | 181.459.-- | 1 | MADISON RS 250 I.E. label set * |

* Vedi tavola N° 00 Colori

* Refer to N° 00 colour table

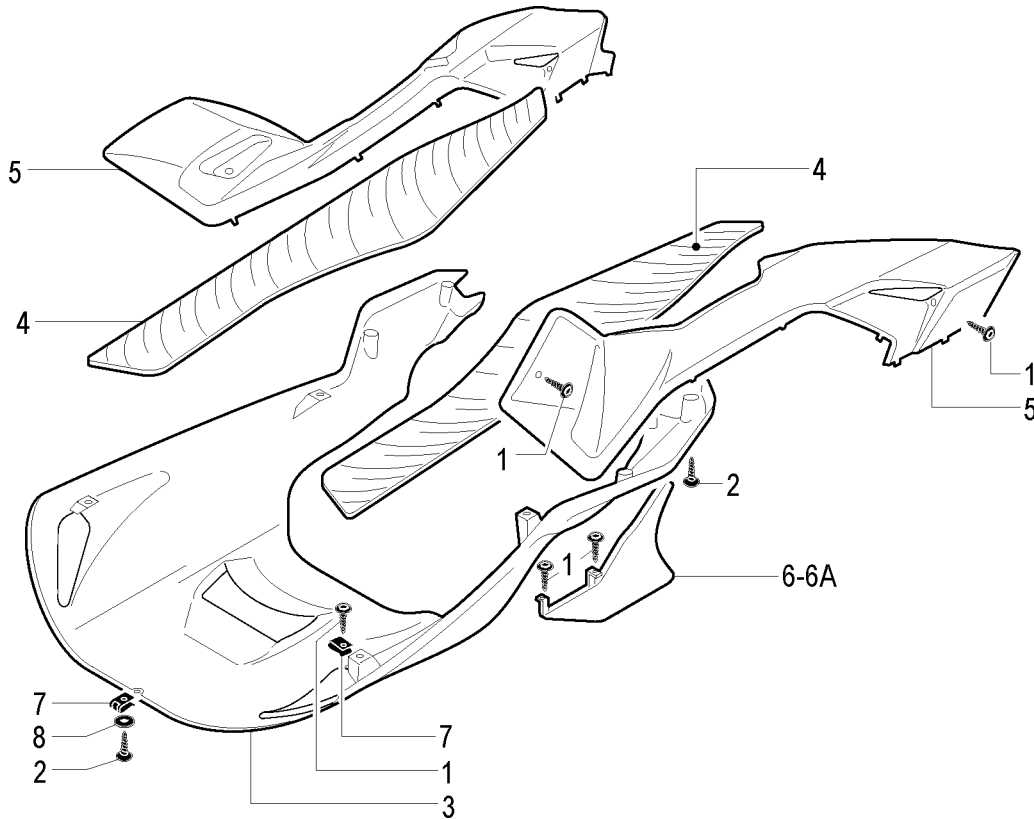
**Carrozzeria centrale
Central body**


| Nr. | Codice | Q.tà | Descrizione |
|-----|-------------|------|--------------------------------------|
| 1 | 071.145.03 | 1 | Coperchio numeri telaio |
| 2 | 064.043.03 | 1 | Pedana in plastica poggia piedi |
| 3 | 071.727.03 | 1 | Rinforzo sportello paragambe |
| 4 | 184.377.00 | 12 | Vite |
| 5 | 184.358.00 | 4 | Vite |
| 6 | 071.713.03 | 1 | Sportello benzina |
| 7 | 065.099.03 | 1 | Paragambe |
| 8 | 071.835.00 | 1 | Pulsante apertura |
| 9 | 147.158.13 | 1 | Molla sportello paragambe |
| 10 | 150.322.00 | 1 | Spina sportello |
| 11 | 184.007.00 | 50 | Clip |
| 12 | 071.907.03 | 1 | Vaschetta porta ticket |
| 13 | 071.912.03 | 1 | Kit sportelli ticket-vaso espansione |
| 14 | 071.716.03 | 1 | Sportello paragambe completo |
| 15 | 090.024.00 | 1 | Serratura |
| -- | 181.459. -- | 1 | Sr. marche MADISON RS 250 I.E.* |

| Nr. | Code | Q.ty | Description |
|-----|-------------|------|---------------------------------|
| 1 | 071.145.03 | 1 | VIN number cover |
| 2 | 064.043.03 | 1 | Footboard panel |
| 3 | 071.727.03 | 1 | Inner cover |
| 4 | 184.377.00 | 12 | Screw |
| 5 | 184.358.00 | 4 | Screw |
| 6 | 071.713.03 | 1 | Fuel tank cover |
| 7 | 065.099.03 | 1 | Inner shield |
| 8 | 071.835.00 | 1 | Opening button |
| 9 | 147.158.13 | 1 | Spring |
| 10 | 150.322.00 | 1 | Pivot |
| 11 | 184.007.00 | 50 | Clip |
| 12 | 071.907.03 | 1 | Mobile box |
| 13 | 071.912.03 | 1 | Covers set |
| 14 | 071.716.03 | 1 | Glove box cover |
| 15 | 090.024.00 | 1 | Glove box lock |
| -- | 181.459. -- | 1 | MADISON RS 250 I.E. label set * |

* Vedi tavola N° 00 Colori

* Refer to N° 00 colour table

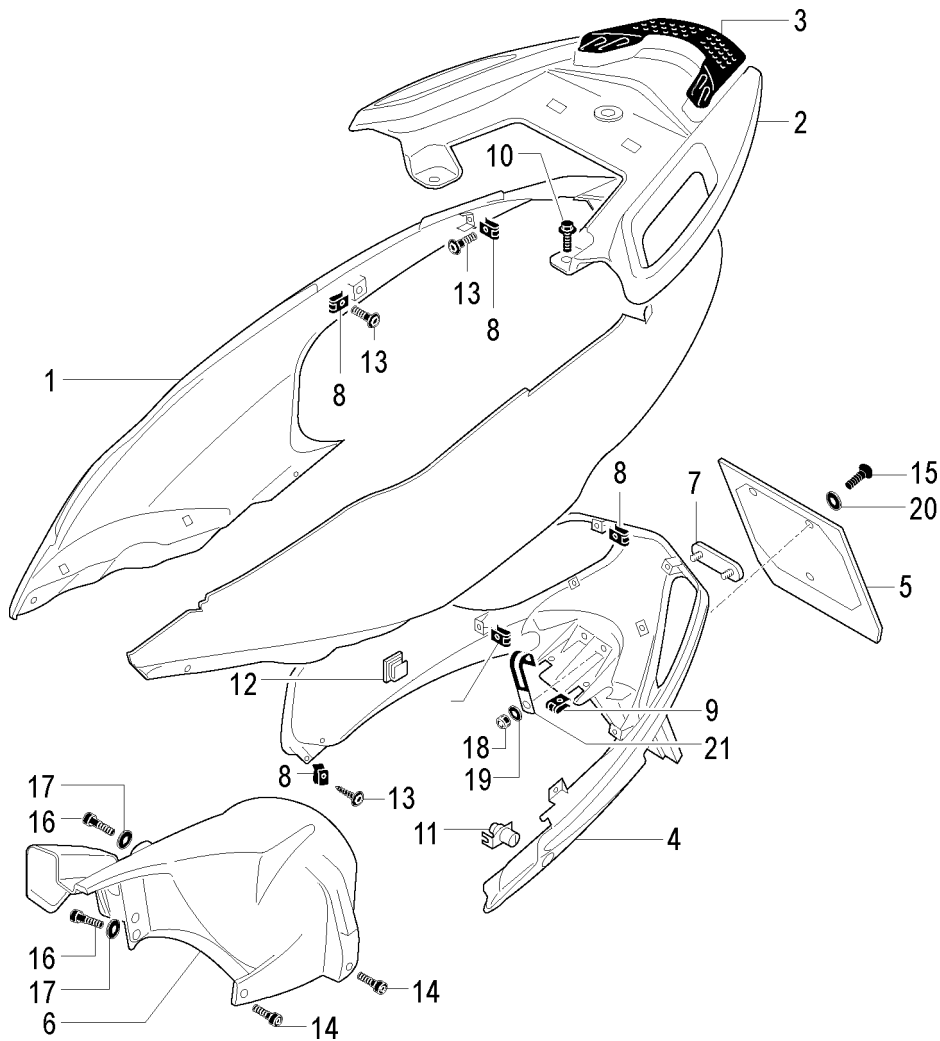


| Nr. | Codice | Q.tà | Descrizione |
|-----|-------------|------|---------------------------------|
| 1 | 184.377.00 | 12 | Vite |
| 2 | 184.358.00 | 1 | Vite |
| 3 | 063.271. -- | 1 | Puntone * |
| 4 | 064.044.03 | 1 | Pedane in gomma poggia piedi |
| 5 | 063.277.98 | 1 | Copritunnel dx / sx in cp. * |
| 6 | 071.736.03 | 1 | Paratia puntone sx |
| 6A | 071.749.03 | 1 | Paratia puntone dx |
| 7 | 184.007.00 | 50 | Clip |
| 8 | 184.051.13 | 1 | Rondella |
| -- | 181.459. -- | 1 | Sr. marche MADISON RS 250 I.E.* |

| Nr. | Code | Q.ty | Description |
|-----|-------------|------|---------------------------------|
| 1 | 184.377.00 | 12 | Screw |
| 2 | 184.358.00 | 1 | Screw |
| 2 | 063.271. -- | 1 | Belly pan * |
| 4 | 064.044.03 | 1 | Mats set |
| 5 | 063.277.98 | 1 | Cover set * |
| 6 | 071.736.03 | 1 | L/h belly pan cover |
| 6A | 071.749.03 | 1 | R/h belly pan cover |
| 7 | 184.007.00 | 50 | Clip |
| 8 | 184.051.13 | 1 | Washer |
| -- | 181.459. -- | 1 | MADISON RS 250 I.E. label set * |

* Vedi tavola N° 00 Colori

* Refer to N° 00 colour table

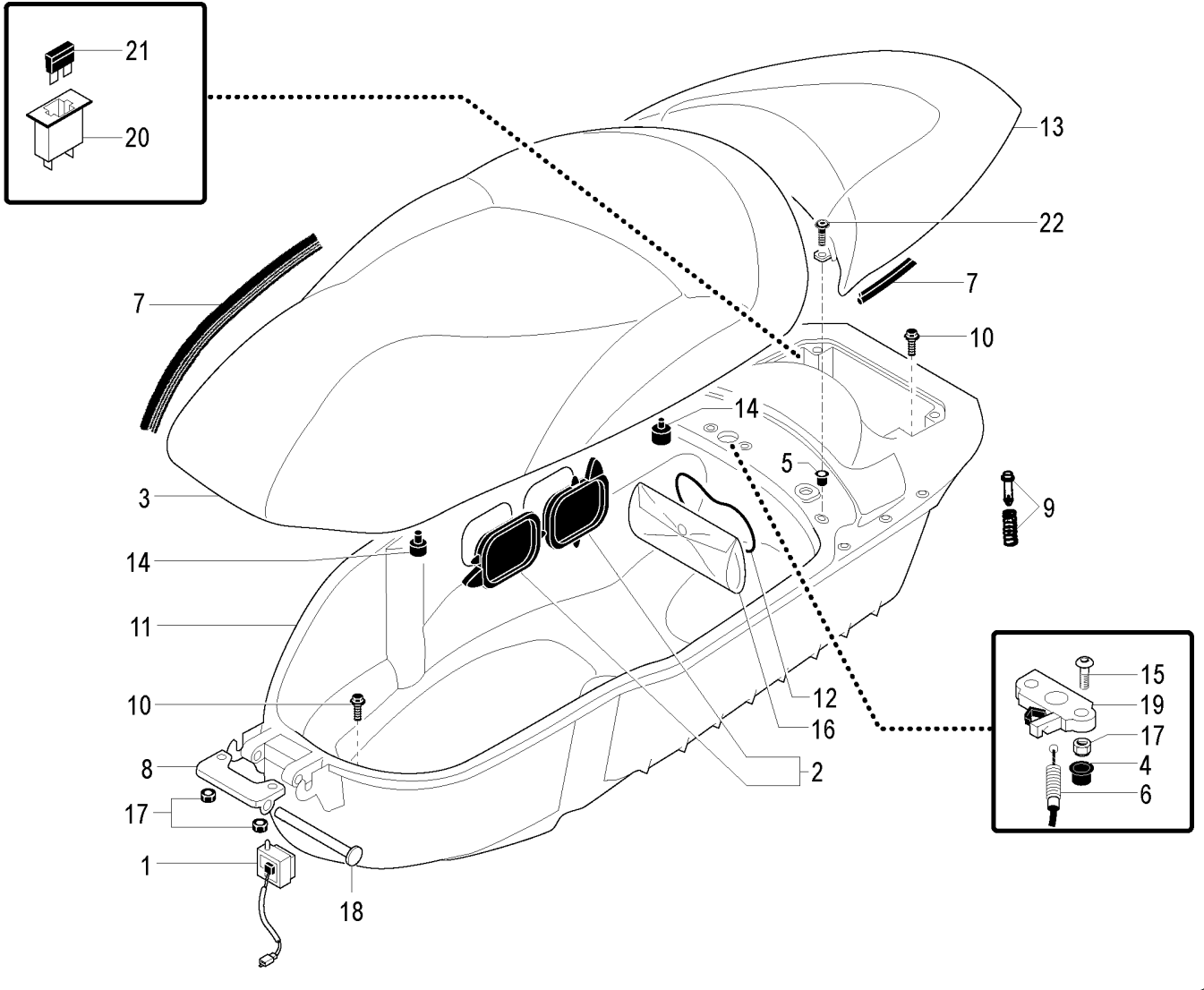
Carrozzeria posteriore
Rear body


| Nr. | Codice | Q.tà | Descrizione |
|-----|-------------|------|----------------------------------|
| 1 | 063.272. -- | 1 | Carena posteriore * |
| 2 | 063.270.87 | 1 | Maniglia posteriore |
| 3 | 071.721.03 | 1 | Coperchio maniglia posteriore |
| 4 | 063.267.03 | 1 | Codino inferiore paraspruzzi |
| 5 | 008.006.00 | 1 | Porta targa |
| 6 | 056.083.03 | 1 | Parafango posteriore |
| 7 | 071.322.00 | 1 | Catadiottro rosso ovale |
| 8 | 184.007.00 | 50 | Clips vite autofilettante |
| 9 | 184.206.00 | 7 | Clips vite |
| 10 | 184.214.14 | 3 | Vite maniglione |
| 11 | 090.058.00 | 1 | Serratura sella |
| 12 | 167.070.00 | 1 | Fascetta |
| 13 | 184.358.00 | 6 | Vite |
| 14 | 184.396.00 | 2 | Vite |
| 15 | 184.390.00 | 3 | Vite |
| 16 | 184.303.13 | 2 | Vite |
| 17 | 184.052.13 | 2 | Rondella |
| 18 | 184.302.13 | 2 | Dado |
| 19 | 184.045.13 | 2 | Rondella |
| 20 | 184.046.14 | 3 | Rondella |
| 21 | 167.039.00 | 1 | Fascetta |
| -- | 181.459. -- | 1 | Sr. marche MADISON RS 250 I.E. * |

| Nr. | Code | Q.ty | Description |
|-----|-------------|------|---------------------------------|
| 1 | 063.272. -- | 1 | Rear fairing * |
| 2 | 063.270.87 | 1 | Rear handle |
| 3 | 071.721.03 | 1 | Rear handle cover |
| 4 | 063.267.03 | 1 | Lower rear fairing |
| 5 | 008.006.00 | 1 | Number plate holder |
| 6 | 056.083.03 | 1 | Rear mudguard |
| 7 | 071.322.00 | 1 | Red reflector |
| 8 | 184.007.00 | 50 | Clip |
| 9 | 184.206.00 | 7 | Clip |
| 10 | 184.214.14 | 3 | Screw |
| 11 | 090.058.00 | 1 | Seat lock |
| 12 | 167.070.00 | 1 | Clamp |
| 13 | 184.358.00 | 6 | Screw |
| 14 | 184.396.00 | 2 | Screw |
| 15 | 184.390.00 | 3 | Screw |
| 16 | 184.303.13 | 4 | Screw |
| 17 | 184.052.13 | 2 | Washer |
| 18 | 184.302.13 | 2 | Nut |
| 19 | 184.045.13 | 2 | Washer |
| 20 | 184.046.14 | 3 | Washer |
| 21 | 167.039.00 | 1 | Clamp |
| -- | 181.459. -- | 1 | MADISON RS 250 I.E. label set * |

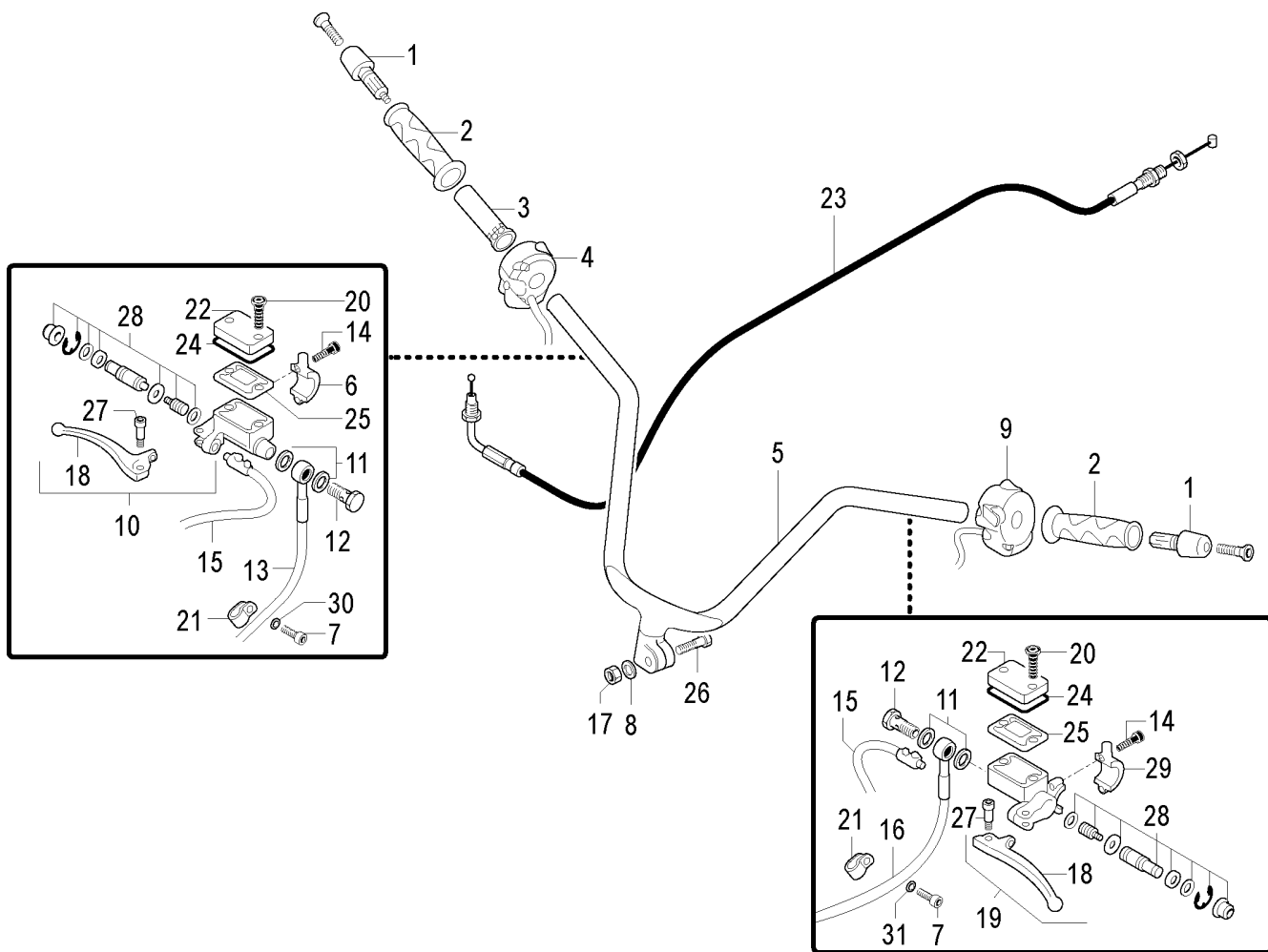
* Vedi tavola N° 00 Colori

* Refer to N° 00 colour table



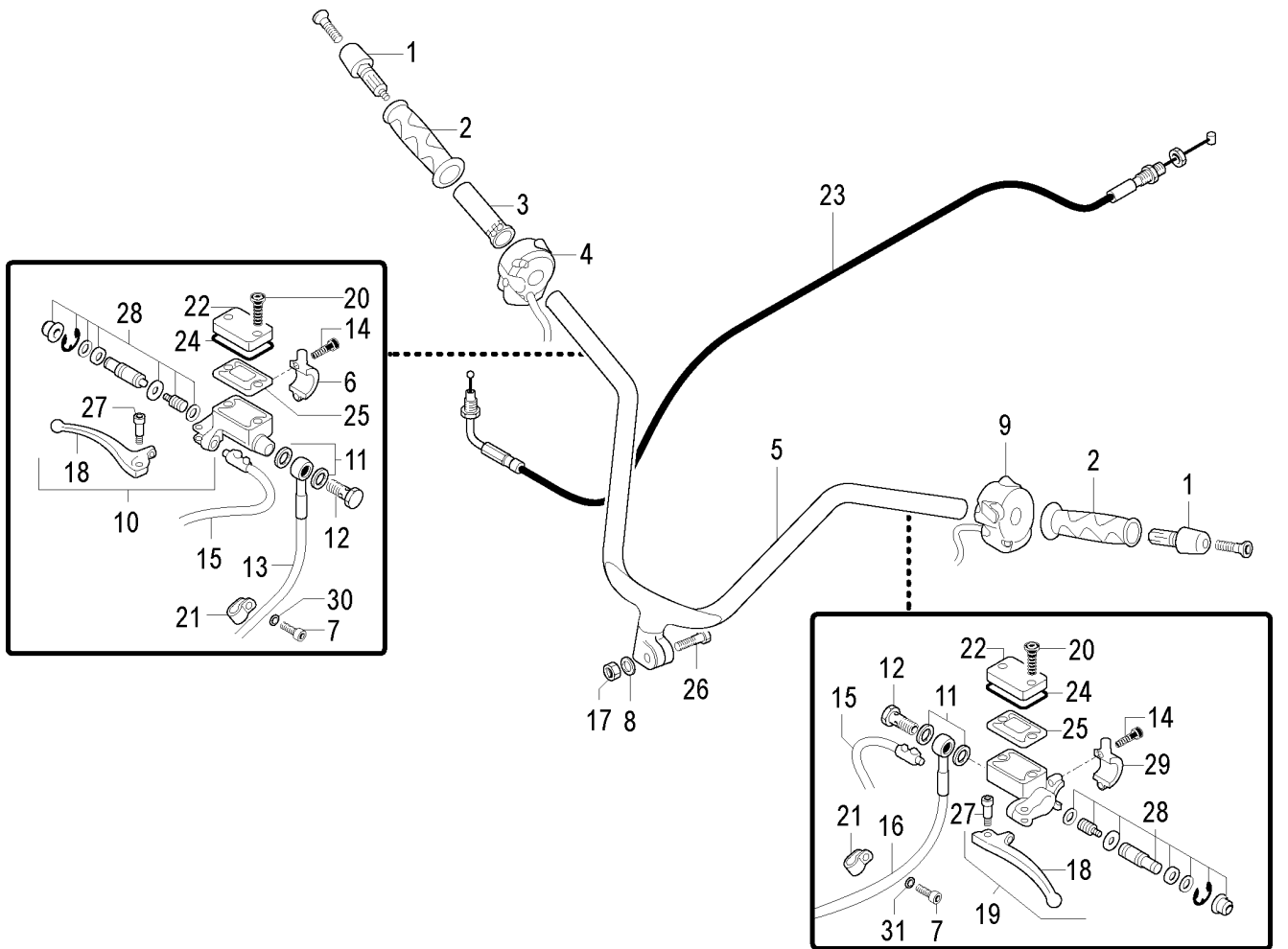
| Nr. | Codice | Q.tà | Descrizione |
|-----|-------------|------|------------------------------|
| 1 | 016.060.00 | 1 | Luce vano casco |
| 2 | 071.574.03 | 2 | Coperchio ispezione |
| 3 | 106.110. -- | 1 | Sellone pilota * |
| 4 | 072.171.00 | 2 | Copridado |
| 5 | 075.028.00 | 2 | Boccola antivibrante |
| 6 | 035.022.03 | 1 | Trasmissione serratura sella |
| 7 | 072.061.03 | 2 | Guarnizione sella |
| 8 | 188.040.99 | 1 | Cerniera sella |
| 9 | 071.373.00 | 1 | Push-up sella completo |
| 10 | 190.022.00 | 4 | Vite fissaggio vano casco |
| 11 | 065.100.03 | 1 | Vano casco completo |
| 12 | 072.167.00 | 1 | Elastico ferma trousse |
| 13 | 106.109. -- | 1 | Sellone passeggero * |
| 14 | 071.152.03 | 4 | Gommino paracolpi |
| 15 | 184.255.15 | 2 | Vite serratura sella |
| 16 | 086.025.00 | 1 | Trousse attrezzi |
| 17 | 184.153.14 | 4 | Dado |
| 18 | 150.174.13 | 1 | Tube fulcro sella pilota |
| 19 | 090.039.00 | 1 | Levismo sella |
| 20 | 025.032.00 | 1 | Portafusibile |
| 21 | 025.050.00 | 1 | Fusibile 30 A |
| 22 | 184.254.15 | 2 | Vite fissaggio sella |

| Nr. | Code | Q.ty | Description |
|-----|-------------|------|--------------------------|
| 1 | 016.060.00 | 1 | Helmet case light |
| 2 | 071.574.03 | 2 | Inspection cover |
| 3 | 106.110. -- | 1 | Front seat * |
| 4 | 072.171.00 | 2 | Nut cover |
| 5 | 075.028.00 | 2 | Bush |
| 6 | 035.022.03 | 1 | Seat lock cable |
| 7 | 072.061.03 | 2 | Seat gasket |
| 8 | 188.040.99 | 1 | Seat hinge |
| 9 | 071.373.00 | 1 | Seat push-up |
| 10 | 190.022.00 | 4 | Helmet case fixing screw |
| 11 | 065.100.03 | 1 | Helmet case |
| 12 | 072.167.00 | 1 | Rubber band |
| 13 | 106.109. -- | 1 | Rear seat * |
| 14 | 071.152.03 | 4 | Bump stop |
| 15 | 184.255.15 | 2 | Seat lock fixing screw |
| 16 | 086.025.00 | 1 | Tool kit |
| 17 | 184.153.14 | 4 | Nut |
| 18 | 150.174.13 | 1 | Seat pivot |
| 19 | 090.039.00 | 1 | Seat lock lever |
| 20 | 025.032.00 | 1 | Fuse holder |
| 21 | 025.050.00 | 1 | 30 A fuse |
| 22 | 184.254.15 | 2 | Seat fixing screw |



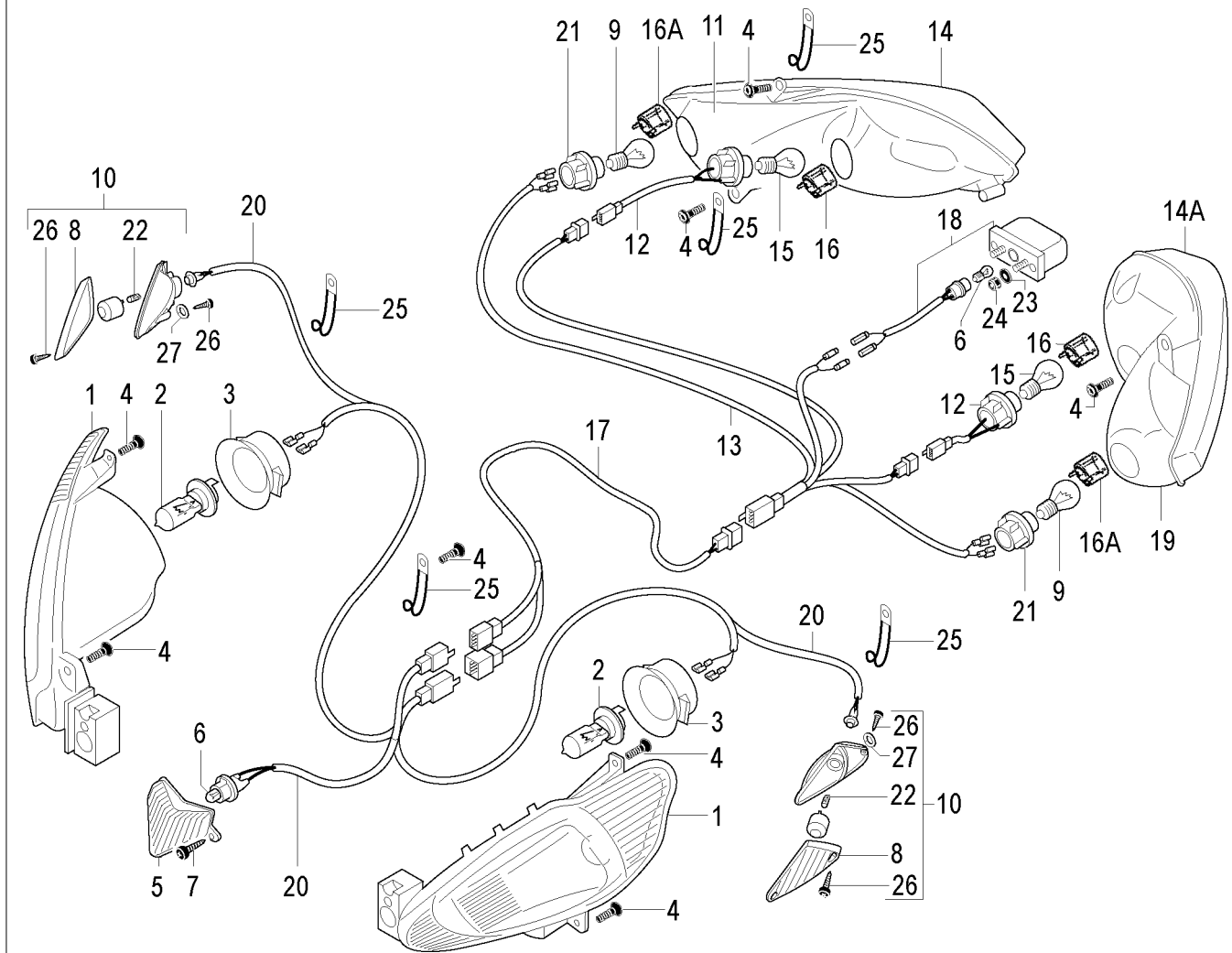
| Nr. | Codice | Q.tà | Descrizione |
|-----|------------|------|-----------------------------------|
| 1 | 163.002.03 | 2 | Contrappesi manubrio |
| 2 | 097.020.03 | 1 | Kit manopole sx / dx |
| 3 | 027.014.00 | 1 | Tubo comando gas |
| 4 | 020.054.00 | 1 | Commutatore dx |
| 5 | 162.053.13 | 1 | Manubrio |
| 6 | 121.151.00 | 1 | Attacco pompa dx |
| 7 | 184.357.00 | 2 | Vite fissaggio fascetta |
| 8 | 184.094.13 | 1 | Rondella manubrio |
| 9 | 020.049.00 | 1 | Commutatore luci sx |
| 10 | 030.040.03 | 1 | Pompa freno dx completa di leva |
| 11 | 190.006.00 | 4 | Rasamento |
| 12 | 150.024.14 | 2 | Vite trasmissione idraulica |
| 13 | 033.071.00 | 1 | Trasmissione idraulica anteriore |
| 14 | 184.247.00 | 4 | Vite attacco pompa freno |
| 15 | 021.018.00 | 2 | Interruttore stop |
| 16 | 033.072.00 | 1 | Trasmissione idraulica posteriore |
| 17 | 184.056.13 | 1 | Dado fissaggio manubrio |
| 18 | 121.143.03 | 2 | Leva freno sx / dx |
| 19 | 030.026.03 | 1 | Pompa freno sx completa di leva |
| 20 | 184.179.00 | 4 | Vite coperchio pompa |
| 21 | 167.038.00 | 2 | Fascetta trasmissione freno |
| 22 | 121.182.00 | 2 | Coperchio pompa freno |
| 23 | 034.118.03 | 1 | Trasmissione gas |
| 24 | 121.141.00 | 2 | Scodellino coperchio pompa |
| 25 | 121.099.00 | 2 | Guarnizione pompa |

| Nr. | Code | Q.ty | Description |
|-----|------------|------|------------------------------|
| 1 | 163.002.03 | 2 | Bar ends set |
| 2 | 097.020.03 | 1 | Handgrip set |
| 3 | 027.014.00 | 1 | Twistgrip |
| 4 | 020.054.00 | 1 | R/h switch |
| 5 | 162.053.13 | 1 | Handlebar |
| 6 | 121.151.00 | 1 | R/h front brake pump bracket |
| 7 | 184.357.00 | 2 | Fixing screw |
| 8 | 184.094.13 | 1 | Washer |
| 9 | 020.049.00 | 1 | L/h switch |
| 10 | 030.040.03 | 1 | R/h brake pump assy & lever |
| 11 | 190.006.00 | 4 | Copper banjo washer |
| 12 | 150.024.14 | 2 | Brake hose bolt |
| 13 | 033.071.00 | 1 | Front hydraulic brake hose |
| 14 | 184.247.00 | 4 | Front brake pump screw |
| 15 | 021.018.00 | 2 | Stop switch |
| 16 | 033.072.00 | 1 | Rear hydraulic brake hose |
| 17 | 184.056.13 | 1 | Nut |
| 18 | 121.143.03 | 2 | L/h-r/h brake lever |
| 19 | 030.026.03 | 1 | L/h brake pump assy |
| 20 | 184.179.00 | 4 | Pump cover screw |
| 21 | 167.038.00 | 2 | Clamp |
| 22 | 121.182.00 | 2 | Brake pump cover |
| 23 | 034.118.03 | 1 | Throttle cable |
| 24 | 121.141.00 | 2 | Pump top seal |
| 25 | 121.099.00 | 2 | Pump gasket |

Manubrio & comandi
Handlebar & controls


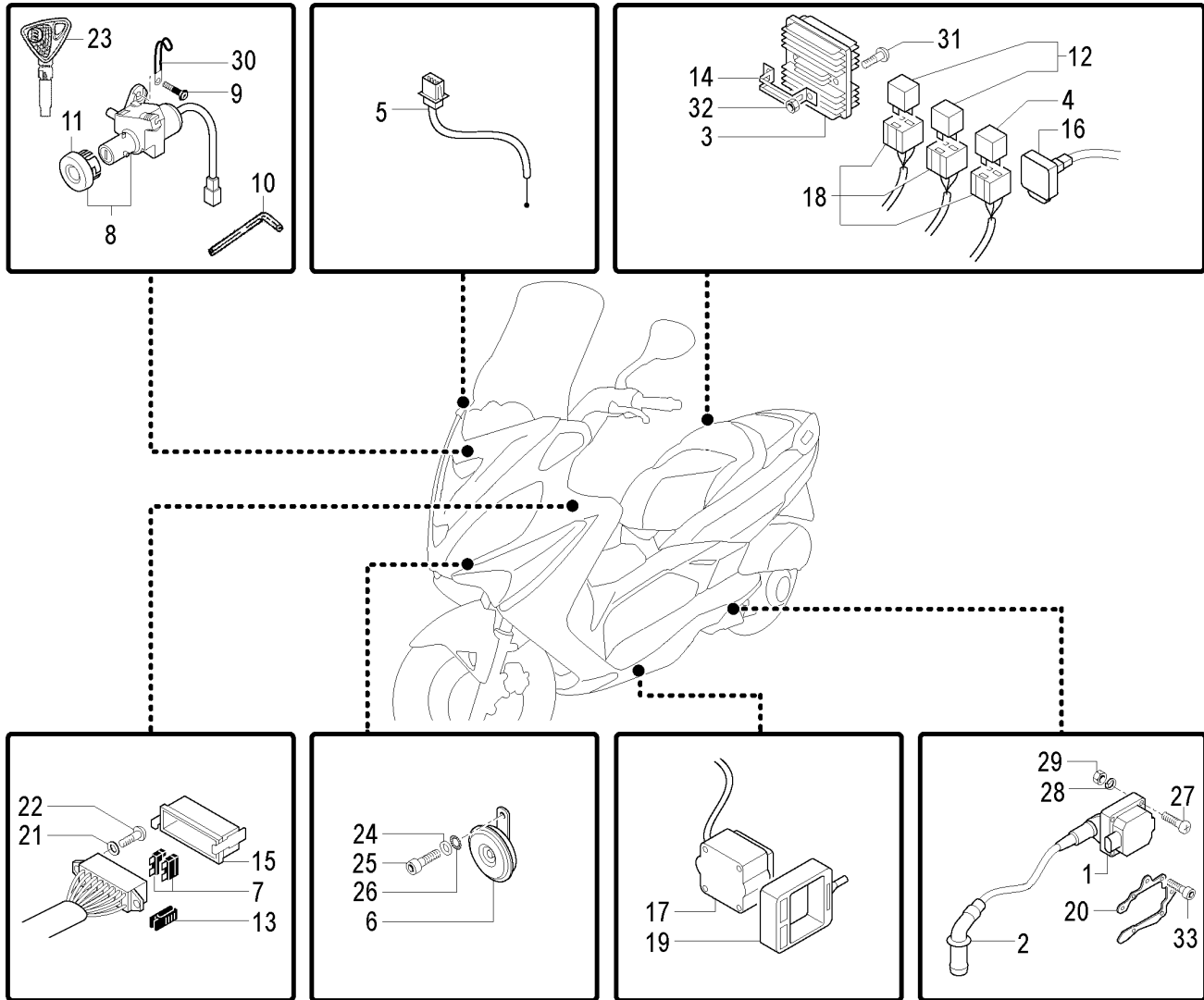
| Nr. | Codice | Q.tà | Descrizione |
|-----|------------|------|-------------------------|
| 26 | 150.179.13 | 1 | Vite fissaggio manubrio |
| 27 | 121.106.00 | 2 | Vite fulcro leva |
| 28 | 121.144.03 | 2 | Pistone pompa |
| 29 | 121.152.00 | 1 | Attacco pompa sx |
| 30 | 184.051.13 | 1 | Rondella |
| 31 | 150.148.14 | 1 | Boccola |

| Nr. | Code | Q.ty | Description |
|-----|------------|------|------------------------------|
| 26 | 150.179.13 | 1 | Handlebar fixing screw |
| 27 | 121.106.00 | 2 | Lever bolt |
| 28 | 121.144.03 | 2 | Master cylinder set |
| 29 | 121.152.00 | 1 | L/h front brake pump bracket |
| 30 | 184.051.13 | 1 | Washer |
| 31 | 150.148.14 | 1 | Bush |

**Fanaleria
Light system**


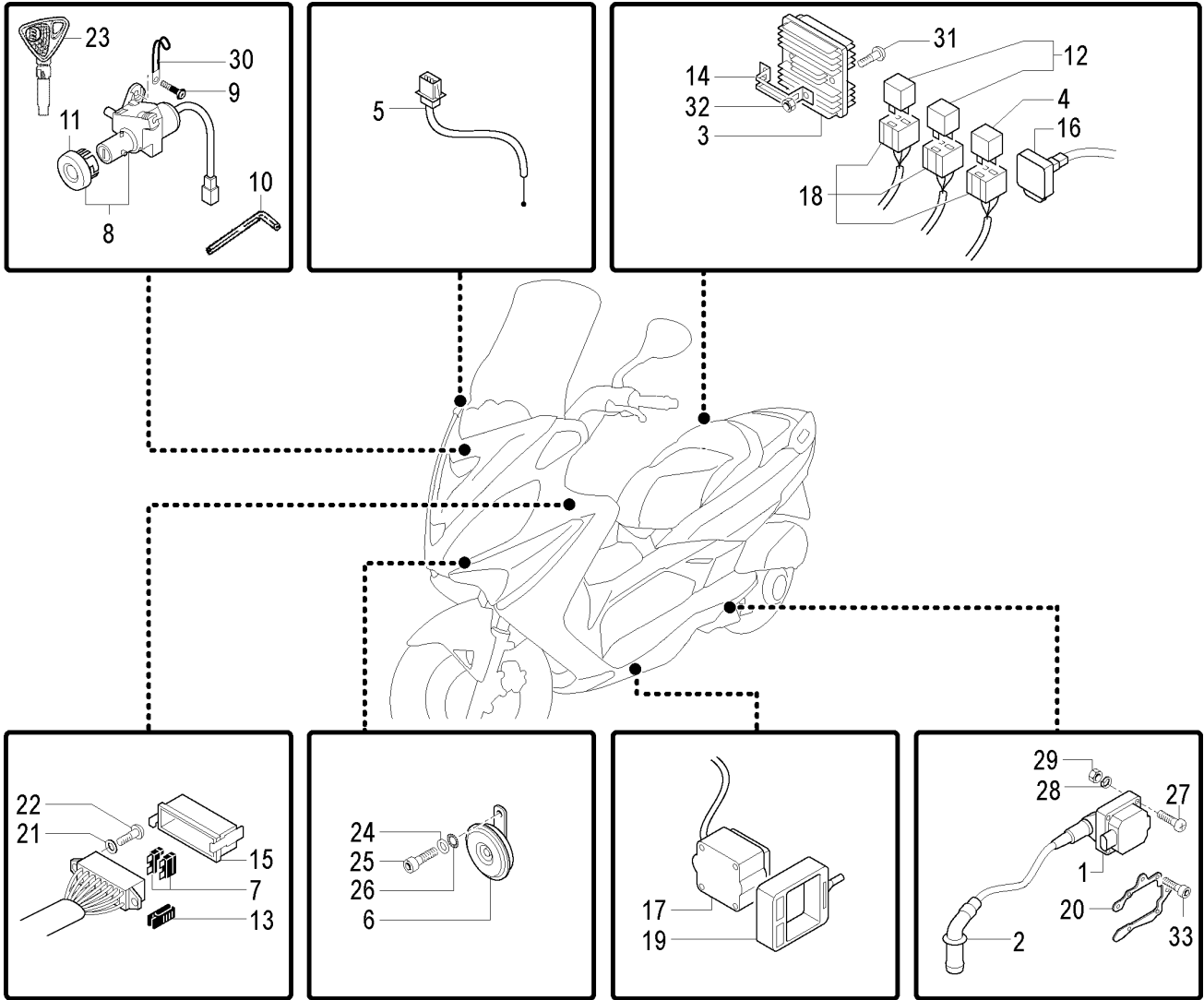
| Nr. | Codice | Q.tà | Descrizione |
|------|------------|------|--------------------------------------|
| 1 | 015.066.00 | 1 | Faro anteriore completo |
| 2 | 022.100.00 | 2 | Lampada HS1 12 V - 35+35 W |
| 3 | 072.220.00 | 2 | Cappuccio faro anteriore |
| 4 | 184.319.13 | 12 | Vite |
| 5 | 015.069.00 | 1 | Luce di posizione |
| 6 | 022.050.00 | 2 | Lampada luce di posizione 12 V - 5 W |
| 7 | 184.075.00 | 2 | Vite |
| 8 | 019.093.00 | 1 | Cp. vetri indicatori anteriori |
| 9 | 022.017.00 | 2 | Lampada 12 V - 10 W |
| 10 | 019.092.00 | 1 | Cp. indicatori direzione anteriori |
| 11 | 016.088.00 | 1 | Fanale posteriore dx completo |
| 12 | 023.014.00 | 2 | Portalamпада luce posizione - stop |
| 13 | 017.426.00 | 1 | Cablaggio posteriore |
| 14 | 016.090.00 | 1 | Vetro fanale posteriore dx |
| 14/A | 016.091.00 | 1 | Vetro fanale posteriore sx |
| 15 | 022.048.00 | 2 | Lampada 12 V - 5/21 W |
| 16 | 016.092.00 | 2 | Calotta fanale posteriore (arancio) |
| 16/A | 016.093.00 | 2 | Calotta fanale posteriore (rossa) |
| 17 | 017.428.00 | 1 | Cablaggio principale |
| 18 | 016.050.00 | 1 | Fanale targa |
| 19 | 016.089.00 | 1 | Fanale posteriore sx completo |
| 20 | 017.427.00 | 1 | Cablaggio faro / frecce anteriori |
| 21 | 023.017.00 | 2 | Portalamпада frecce posteriori |
| 22 | 022.102.00 | 2 | Lampada 12 V - 16 W |
| 23 | 184.079.13 | 2 | Rondella |

| Nr. | Code | Q.ty | Description |
|------|------------|------|-----------------------------|
| 1 | 015.066.00 | 1 | Headlight assy |
| 2 | 022.100.00 | 2 | HS1 12 V - 35+35 W bulb |
| 3 | 072.220.00 | 2 | Rubber cover |
| 4 | 184.319.13 | 12 | Screw |
| 5 | 015.069.00 | 1 | City light |
| 6 | 022.050.00 | 2 | 12 V - 5 W bulb |
| 7 | 184.075.00 | 2 | Screw |
| 8 | 019.093.00 | 1 | Front indicator lens set |
| 9 | 022.017.00 | 2 | 12 V - 10 W bulb |
| 10 | 019.092.00 | 1 | Front indicators set |
| 11 | 016.088.00 | 1 | R/h rear light assembly |
| 12 | 023.014.00 | 2 | Rear light bulb socket |
| 13 | 017.426.00 | 1 | Rear light wiring harness |
| 14 | 016.090.00 | 1 | R/h-rear light lens |
| 14/A | 016.091.00 | 1 | L/h-rear light lens |
| 15 | 022.048.00 | 2 | 12 V - 5/21 W bulb |
| 16 | 016.092.00 | 2 | Tail light cup set (orange) |
| 16/A | 016.093.00 | 2 | Tail light cup set (red) |
| 17 | 017.428.00 | 1 | Main wiring harness |
| 18 | 016.050.00 | 1 | Number plate light |
| 19 | 016.089.00 | 1 | L/h rear light assembly |
| 20 | 017.427.00 | 1 | Front light wiring harness |
| 21 | 023.017.00 | 2 | Rear indicators bulb socket |
| 22 | 022.102.00 | 2 | 12 V - 16 W bulb |
| 23 | 184.079.13 | 2 | Washer |

Impianto elettrico 1
Electrical parts 1


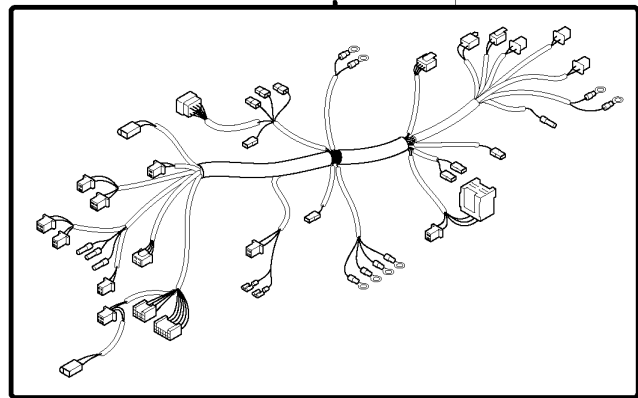
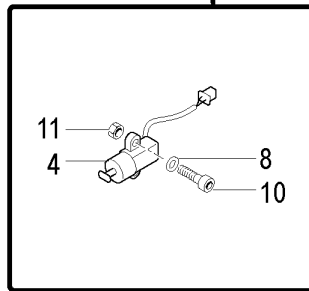
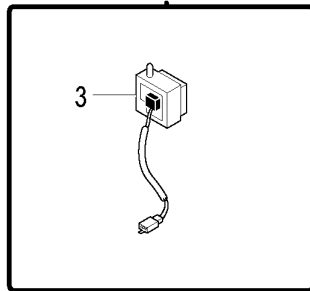
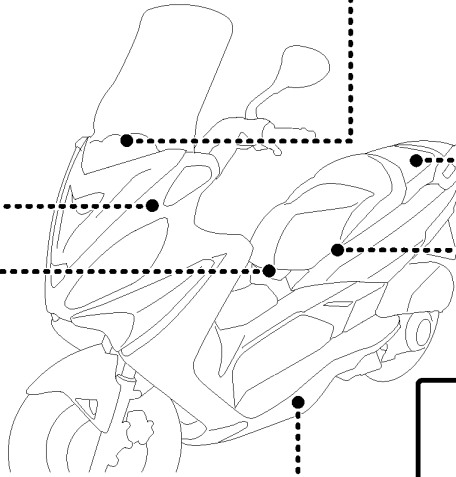
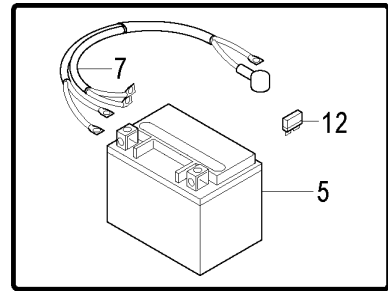
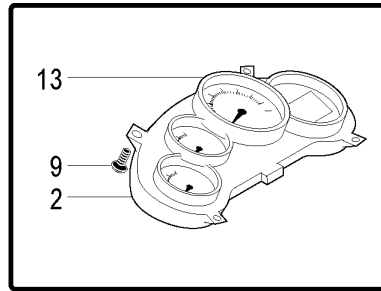
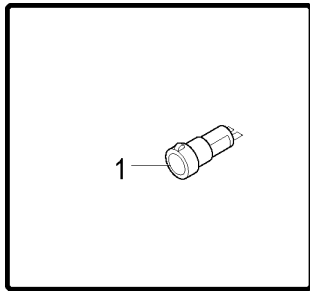
| Nr. | Codice | Q.tà | Descrizione |
|-----|------------|------|-----------------------------------|
| 1 | 024.123.00 | 1 | Bobina |
| 2 | 073.013.00 | 1 | Pipetta candela + cappuccio |
| 3 | 026.024.00 | 1 | Regolatore |
| 4 | 025.025.00 | 1 | Relais avviamento |
| 5 | 021.024.00 | 1 | Sensore temperatura |
| 6 | 018.081.00 | 1 | Avvisatore acustico |
| 7 | 025.035.00 | 1 | Fusibile 3 A |
| 7 | 025.030.00 | 1 | Fusibile 5 A |
| 7 | 025.022.00 | 2 | Fusibile 7,5 A |
| 7 | 025.010.00 | 1 | Fusibile 10 A |
| 7 | 025.031.00 | 1 | Fusibile 15 A |
| 7 | 025.050.00 | 1 | Fusibile 30 A |
| 8 | 090.059.00 | 1 | Commutatore avviamento |
| 9 | 184.218.00 | 2 | Vite antimanomissione |
| 10 | 086.014.00 | 1 | Chiave vite antimanomissione |
| 11 | 071.388.00 | 1 | Cappuccio commutatore |
| 12 | 025.043.00 | 2 | Relais |
| 13 | 071.389.00 | 1 | Pinzetta fusibili |
| 14 | 191.137.13 | 1 | Staffa regolatore |
| 15 | 071.728.00 | 1 | Coperchio scatola fusibili |
| 16 | 025.033.00 | 1 | Intermittenza |
| 17 | 025.045.00 | 1 | Sensore antiribaltamento |
| 18 | 071.382.00 | 3 | Attacco porta relais |
| 19 | 071.607.00 | 1 | Supporto sensore antiribaltamento |
| 20 | 191.131.13 | 1 | Piastra bobina |

| Nr. | Code | Q.ty | Description |
|-----|------------|------|-----------------------------|
| 1 | 024.123.00 | 1 | Coil |
| 2 | 073.013.00 | 1 | Spark plug cap |
| 3 | 026.024.00 | 1 | Regulator |
| 4 | 025.025.00 | 1 | Starter relay |
| 5 | 021.024.00 | 1 | Temperature gauge |
| 6 | 018.081.00 | 1 | Horn |
| 7 | 025.035.00 | 1 | 3 A fuse |
| 7 | 025.030.00 | 1 | 5 A fuse |
| 7 | 025.022.00 | 2 | 7,5 A fuse |
| 7 | 025.010.00 | 1 | 10 A fuse |
| 7 | 025.031.00 | 1 | 15 A fuse |
| 7 | 025.050.00 | 1 | 30 A fuse |
| 8 | 090.059.00 | 1 | Ignition barrel |
| 9 | 184.218.00 | 2 | Antitampering screw |
| 10 | 086.014.00 | 1 | Antitampering screw spanner |
| 11 | 071.388.00 | 1 | Ignition barrel cap |
| 12 | 025.043.00 | 2 | Relay |
| 13 | 071.389.00 | 1 | Fuse plier |
| 14 | 191.137.13 | 1 | Regulator bracket |
| 15 | 071.728.00 | 1 | Fuses box cover |
| 16 | 025.033.00 | 1 | Flasher relay |
| 17 | 025.045.00 | 1 | Antirollover sensor |
| 18 | 071.382.00 | 3 | Relay holder |
| 19 | 071.607.00 | 1 | Antirollover sensor bracket |
| 20 | 191.131.13 | 1 | Coil bracket |

Impianto elettrico 1
Electrical parts 1


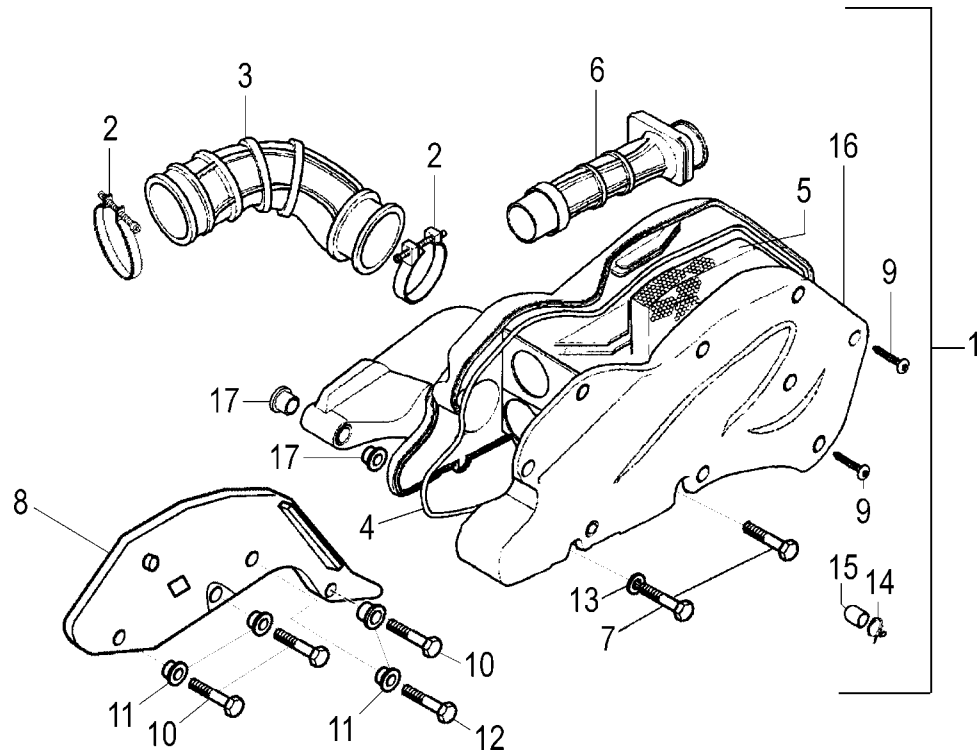
| Nr. | Codice | Q.tà | Descrizione |
|-----|------------|------|---------------------|
| 21 | 184.079.13 | 2 | Rondella |
| 22 | 184.312.15 | 2 | Vite portafusibili |
| 23 | 090.066.00 | 1 | Chiave grezza |
| 24 | 184.110.00 | 1 | Rondella |
| 25 | 184.353.00 | 1 | Vite claxon |
| 26 | 184.050.00 | 1 | Rondella |
| 27 | 184.334.13 | 4 | Vite bobina |
| 28 | 184.081.13 | 4 | Rondella |
| 29 | 184.302.13 | 4 | Dado |
| 30 | 167.039.00 | 1 | Fascetta |
| 31 | 184.106.13 | 2 | Vite regolatore |
| 32 | 184.078.13 | 2 | Dado |
| 33 | 184.390.00 | 3 | Vite piastra bobina |

| Nr. | Code | Q.ty | Description |
|-----|------------|------|-------------|
| 21 | 184.079.13 | 2 | Washer |
| 22 | 184.312.15 | 2 | Screw |
| 23 | 090.066.00 | 1 | Blank key |
| 24 | 184.110.00 | 1 | Washer |
| 25 | 184.353.00 | 1 | Screw |
| 26 | 184.050.00 | 1 | Washer |
| 27 | 184.334.13 | 4 | Screw |
| 28 | 184.081.13 | 4 | Washer |
| 29 | 184.302.13 | 4 | Nut |
| 30 | 167.039.00 | 1 | Clamp |
| 31 | 184.106.13 | 2 | Screw |
| 32 | 184.078.13 | 2 | Nut |
| 33 | 184.390.00 | 3 | Screw |

Impianto elettrico 2
Electrical parts 2


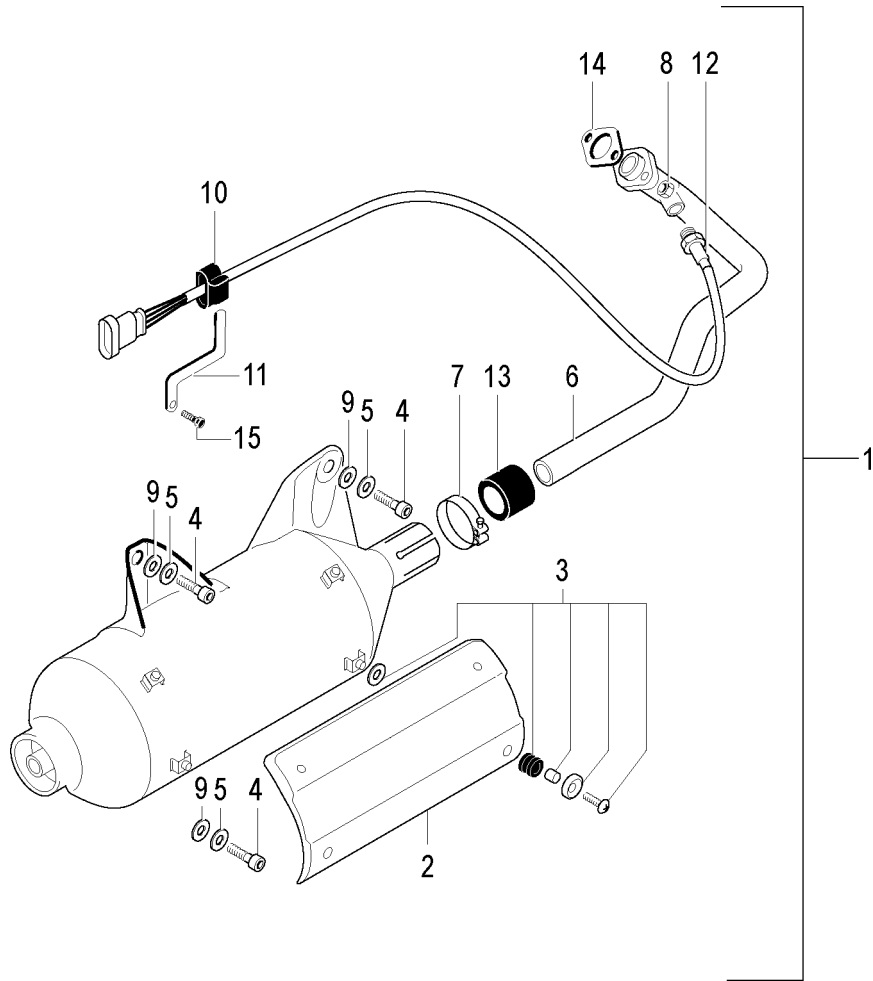
| Nr. | Codice | Q.tà | Descrizione |
|-----|------------|------|----------------------------------|
| 1 | 025.028.00 | 1 | Presa corrente 12 V |
| 2 | 178.188.00 | 1 | Cruscotto digitale multifunzione |
| 3 | 016.060.00 | 1 | Luce vano casco |
| 4 | 021.016.00 | 1 | Interruttore cavalletto laterale |
| 5 | 074.037.00 | 1 | Batteria 12 V - 12 Ah |
| 6 | 017.428.00 | 1 | Cablaggio principale |
| 7 | 017.431.00 | 1 | Cablaggio potenza |
| 8 | 184.079.13 | 2 | Rondella |
| 9 | 184.319.13 | 4 | Vite cruscotto |
| 10 | 184.035.15 | 2 | Vite interruttore cavalletto |
| 11 | 184.099.13 | 2 | Dado |
| 12 | 025.050.00 | 1 | Fusibile 30 A |
| 13 | 071.761.00 | 1 | Trasparente cruscotto |

| Nr. | Code | Q.ty | Description |
|-----|------------|------|------------------------|
| 1 | 025.028.00 | 1 | 12 V outlet |
| 2 | 178.188.00 | 1 | Digital dashboard |
| 3 | 016.060.00 | 1 | Helmet case light |
| 4 | 021.016.00 | 1 | Side stand switch |
| 5 | 074.037.00 | 1 | 12 V - 12 Ah battery |
| 6 | 017.428.00 | 1 | Main wiring harness |
| 7 | 017.431.00 | 1 | Battery wiring harness |
| 8 | 184.079.13 | 2 | Washer |
| 9 | 184.319.13 | 4 | Screw |
| 10 | 184.035.15 | 2 | Screw |
| 11 | 184.099.13 | 2 | Nut |
| 12 | 025.050.00 | 1 | 30 A fuse |
| 13 | 071.761.00 | 1 | Dashboard glass |

**Gruppo aspirazione
 Intake assembly**


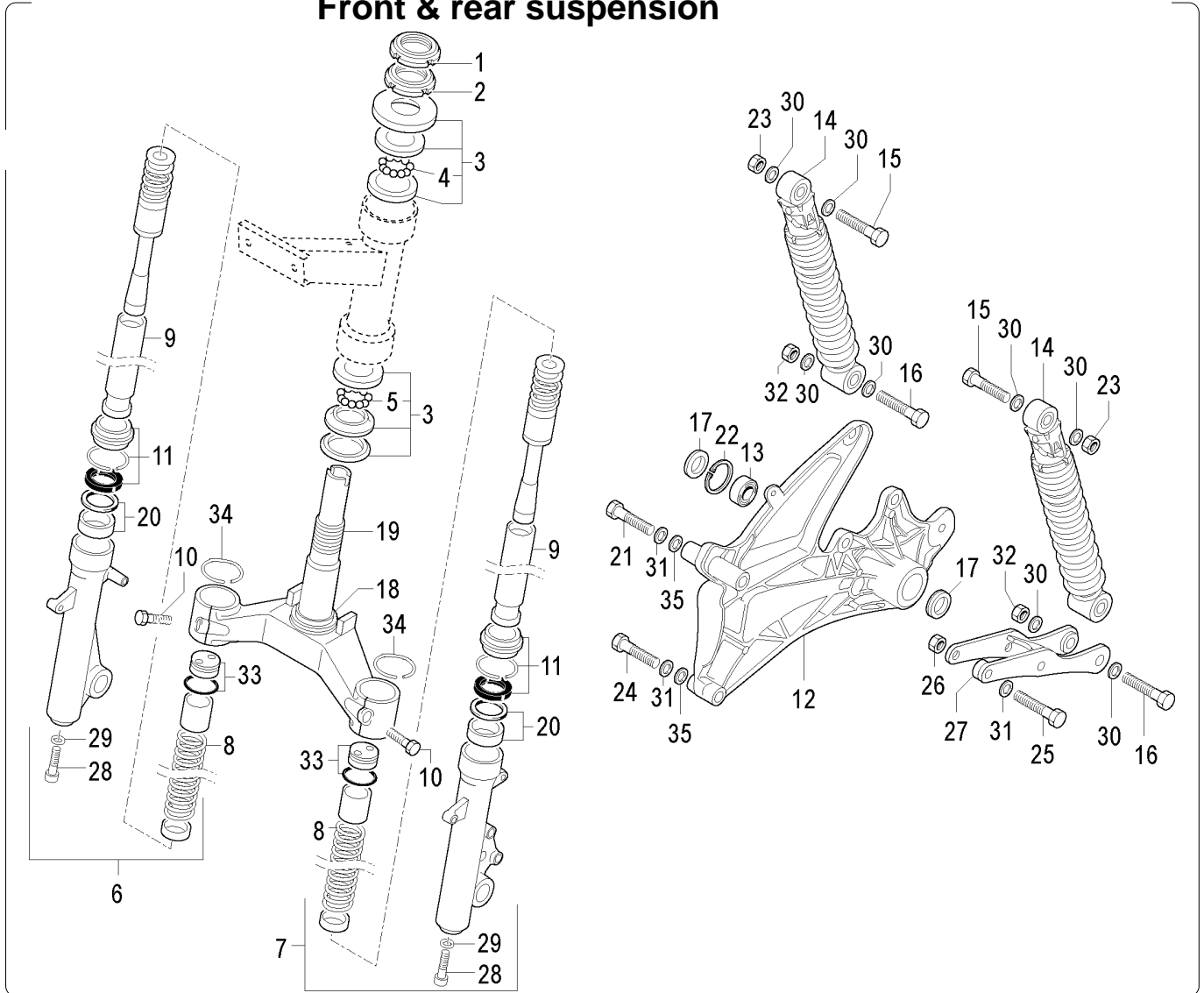
| Nr. | Codice | Q.tà | Descrizione |
|-----|------------|------|-------------------------------------|
| 1 | 066.267.03 | 1 | Cassetta aspirazione completa |
| 2 | 167.047.00 | 2 | Fascetta |
| 3 | 076.044.00 | 1 | Manicotto esterno |
| 4 | 072.251.00 | 1 | Guarnizione coperchio filtro |
| 5 | 066.141.00 | 1 | Filtro aria |
| 6 | 076.036.00 | 1 | Manicotto interno |
| 7 | 184.232.00 | 2 | Vite fissaggio cassetta aspirazione |
| 8 | 071.619.03 | 1 | Paratia cassetta aspirazione |
| 9 | 184.375.00 | 9 | Vite coperchio cassetta aspirazione |
| 10 | 184.106.13 | 3 | Vite fissaggio paratia |
| 11 | 449.154.00 | 4 | Boccola paratia |
| 12 | 184.129.13 | 1 | Vite |
| 13 | 184.052.13 | 1 | Rondella |
| 14 | 167.079.00 | 1 | Fascetta |
| 15 | 072.252.00 | 1 | Cappuccio drenaggio |
| 16 | 066.171.03 | 1 | Coperchio cassetta aspirazione |
| 17 | 150.386.00 | 2 | Boccola cassa filtro |

| Nr. | Code | Q.ty | Description |
|-----|------------|------|----------------------------|
| 1 | 066.267.03 | 1 | Air box complete |
| 2 | 167.047.00 | 2 | Clamp |
| 3 | 076.044.00 | 1 | Air box carburettor sleeve |
| 4 | 072.251.00 | 1 | Air box gasket |
| 5 | 066.141.00 | 1 | Air filter |
| 6 | 076.036.00 | 1 | Air box intake sleeve |
| 7 | 184.232.00 | 2 | Air box fixing screw |
| 8 | 071.619.03 | 1 | Air box panel |
| 9 | 184.375.00 | 9 | Air box fixing screw |
| 10 | 184.106.13 | 3 | Air box panel fixing screw |
| 11 | 449.154.00 | 4 | Bush |
| 12 | 184.129.13 | 1 | Screw |
| 13 | 184.052.13 | 1 | Washer |
| 14 | 167.079.00 | 1 | Clamp |
| 15 | 072.252.00 | 1 | Breather cap |
| 16 | 066.171.03 | 1 | Air box cover |
| 17 | 150.386.00 | 2 | Bush |

Gruppo scarico
Exhaust assembly


| Nr. | Codice | Q.tà | Descrizione |
|-----|------------|------|-----------------------------------|
| 1 | 165.226.99 | 1 | Marmitta completa |
| 2 | 071.493.00 | 1 | Protezione marmitta |
| 3 | 150.293.00 | 1 | Kit fissaggio protezione marmitta |
| 4 | 184.304.13 | 3 | Vite fissaggio marmitta |
| 5 | 184.053.13 | 3 | Rondella marmitta |
| 6 | 164.061.00 | 1 | Tubo scarico + flangia |
| 7 | 167.080.00 | 1 | Fascetta serraggio collettore |
| 8 | 184.276.13 | 2 | Dado tubo scarico |
| 9 | 184.077.13 | 3 | Rondella marmitta |
| 10 | 071.724.00 | 1 | Supporto connettore sonda lambda |
| 11 | 191.133.13 | 1 | Staffa vincolo sonda lambda |
| 12 | 021.032.00 | 1 | Sonda lambda |
| 13 | 072.191.00 | 1 | Guarnizione flangia - scarico |
| 14 | 072.152.00 | 1 | Guarnizione scarico |
| 15 | 449.015.00 | 1 | Vite staffa |

| Nr. | Code | Q.ty | Description |
|-----|------------|------|-----------------------|
| 1 | 165.226.99 | 1 | Exhaust complete |
| 2 | 071.493.00 | 1 | Heat shield |
| 3 | 150.293.00 | 1 | Bolt fixing set |
| 4 | 184.304.13 | 3 | Exhaust fixing screw |
| 5 | 184.053.13 | 3 | Washer |
| 6 | 164.061.00 | 1 | Exhaust pipe kit |
| 7 | 167.080.00 | 1 | Clamp |
| 8 | 184.276.13 | 2 | Nut |
| 9 | 184.077.13 | 3 | Washer |
| 10 | 071.724.00 | 1 | Lambda sensor bracket |
| 11 | 191.133.13 | 1 | Lambda sensor bracket |
| 12 | 021.032.00 | 1 | Lambda sensor |
| 13 | 072.191.00 | 1 | Manifold gasket |
| 14 | 072.152.00 | 1 | Exhaust gasket |
| 15 | 449.015.00 | 1 | Screw |

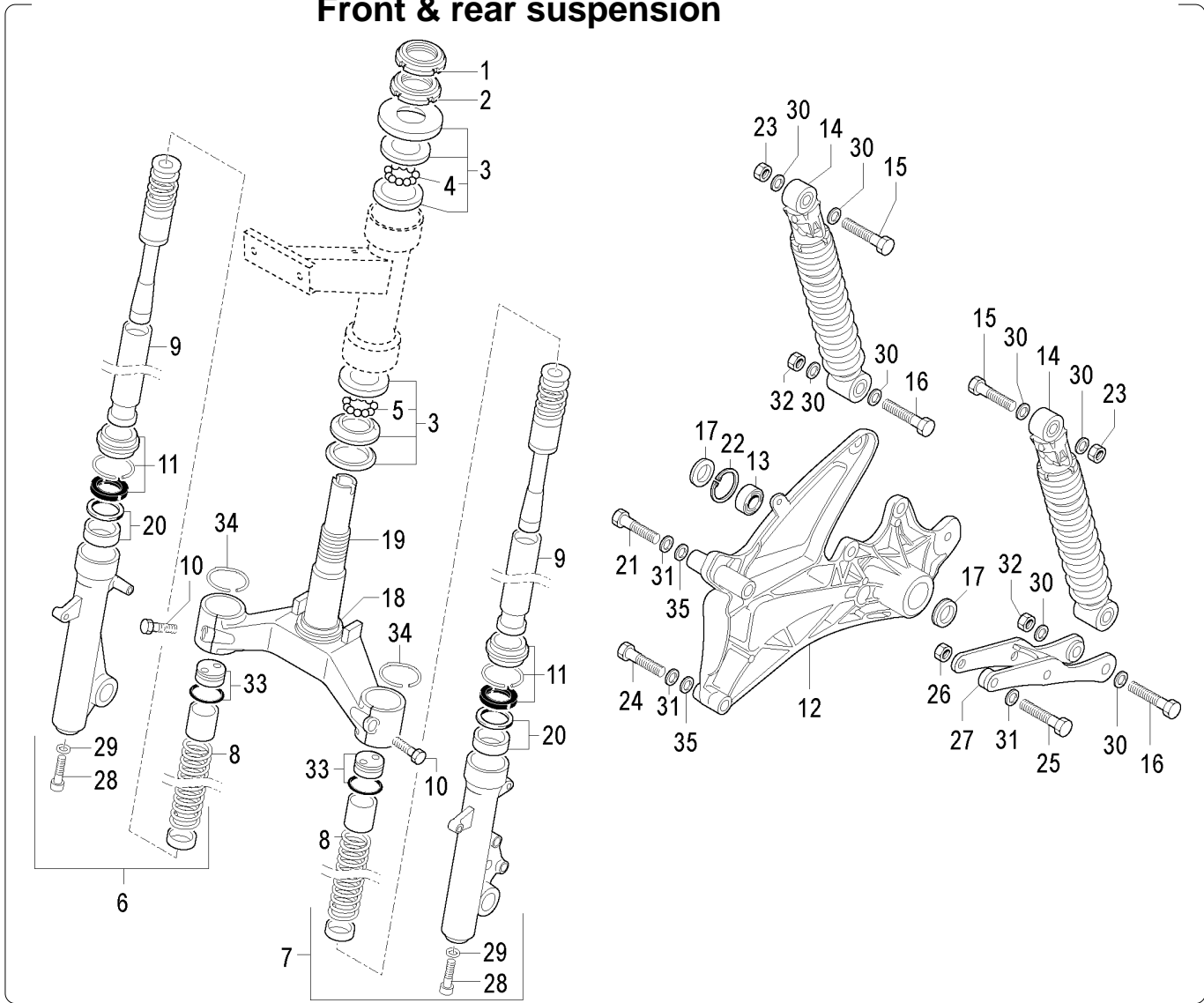
Sospensione anteriore & posteriore
Front & rear suspension


| Nr. | Codice | Q.tà | Descrizione |
|-----|--------|------|-------------|
|-----|--------|------|-------------|

| | | | |
|----|------------|----|------------------------------------|
| 1 | 185.009.13 | 1 | Ghiera autobloccante di fissaggio |
| 2 | 185.023.13 | 1 | Ghiera di fissaggio |
| 3 | 104.030.00 | 1 | Serie sterzo completa |
| 4 | 120.261.00 | 22 | Sfere 3/16" (superiori) |
| 5 | 120.378.00 | 19 | Sfere 1/4" (inferiori) |
| 6 | 120.551.00 | 1 | Portaruota completo dx |
| 7 | 120.552.00 | 1 | Portaruota completo sx |
| 8 | 120.373.00 | 2 | Molla |
| 9 | 120.554.00 | 2 | Canna completa |
| 10 | 120.555.00 | 2 | Vite fissaggio trapezio |
| 11 | 120.546.00 | 2 | Kit paraolio - parapolvere |
| 12 | 183.022.00 | 1 | Braccio completo |
| 13 | 104.035.00 | 1 | Cuscinetto braccio |
| 14 | 010.071.00 | 2 | Ammortizzatori |
| 15 | 184.203.13 | 2 | Vite ammortizzatore superiore |
| 16 | 184.102.13 | 2 | Vite ammortizzatore inferiore |
| 17 | 150.256.00 | 2 | Distanziale con battuta |
| 18 | 072.098.00 | 1 | Anello parapolvere |
| 19 | 120.553.00 | 1 | Gruppo trapezio |
| 20 | 120.384.00 | 1 | Kit boccole di scorrimento |
| 21 | 184.279.13 | 1 | Vite fissaggio braccio superiore |
| 22 | 150.333.00 | 1 | Seeger |
| 23 | 184.115.13 | 2 | Dado fissaggio ammortizzatore sup. |
| 24 | 184.222.13 | 1 | Vite fissaggio braccio inferiore |
| 25 | 184.277.13 | 2 | Vite attacco ammortizzatore |

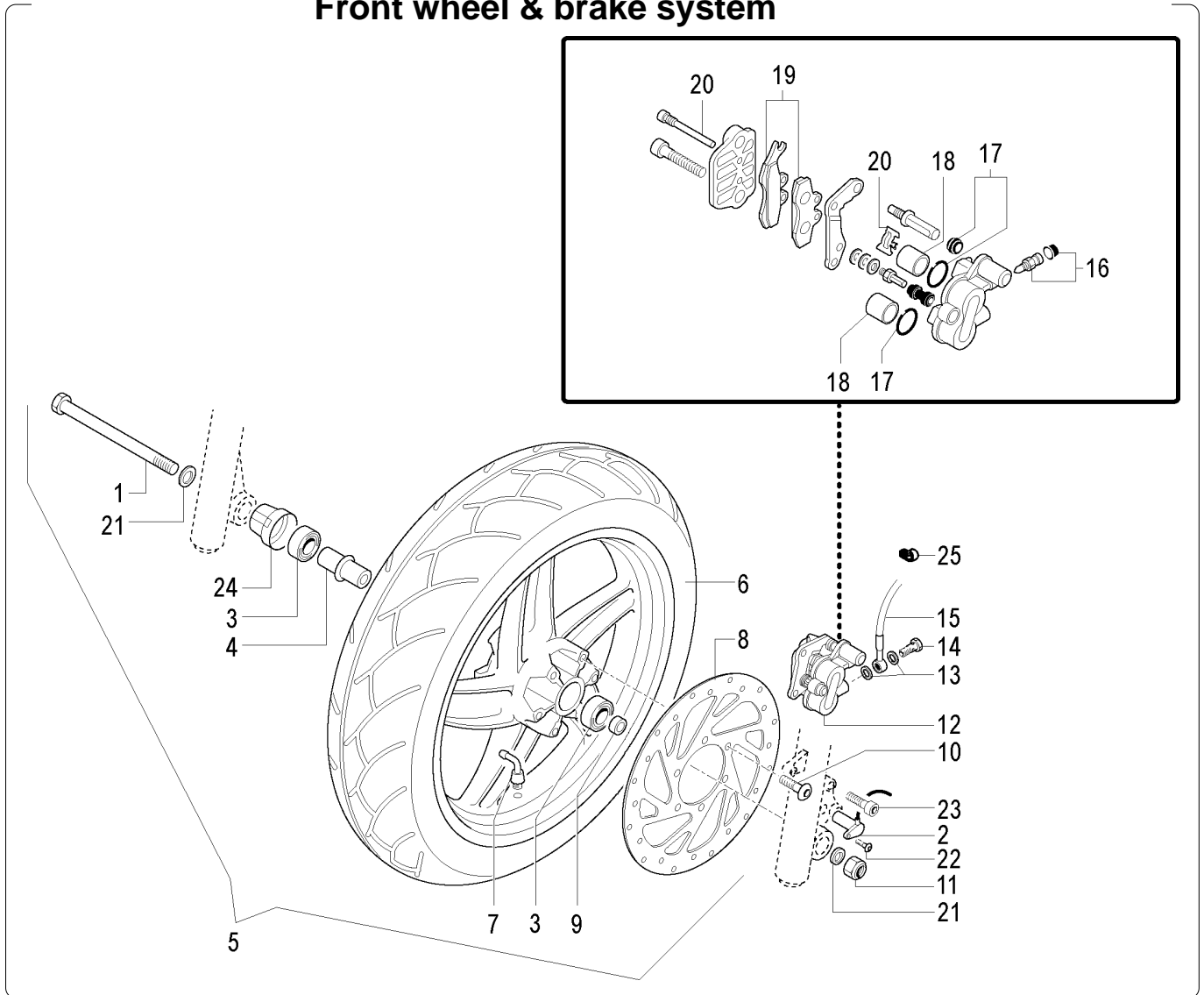
| Nr. | Code | Q.ty | Description |
|-----|------|------|-------------|
|-----|------|------|-------------|

| | | | |
|----|------------|----|-----------------------------------|
| 1 | 185.009.13 | 1 | Steering head nut |
| 2 | 185.023.13 | 1 | Steering nut |
| 3 | 104.030.00 | 1 | Steering head cap set |
| 4 | 120.261.00 | 22 | Steering ball cages 3/16" (upper) |
| 5 | 120.378.00 | 19 | Steering ball cages 1/4" (lower) |
| 6 | 120.551.00 | 1 | R/h fork leg assy |
| 7 | 120.552.00 | 1 | L/h fork leg assy |
| 8 | 120.373.00 | 2 | Spring |
| 9 | 120.554.00 | 2 | Tube complete |
| 10 | 120.555.00 | 2 | Fixing screw |
| 11 | 120.546.00 | 2 | Fork bush/seal kit |
| 12 | 183.022.00 | 1 | Rear swinging arm |
| 13 | 104.035.00 | 1 | Swinging arm bearing |
| 14 | 010.071.00 | 2 | Shock absorbers |
| 15 | 184.203.13 | 2 | Screw |
| 16 | 184.102.13 | 2 | Screw |
| 17 | 150.256.00 | 2 | Spacer |
| 18 | 072.098.00 | 1 | Dust seal |
| 19 | 120.553.00 | 1 | Stem steering |
| 20 | 120.384.00 | 1 | Bush set |
| 21 | 184.279.13 | 1 | Fixing screw |
| 22 | 150.333.00 | 1 | Seeger |
| 23 | 184.115.13 | 2 | Fixing nut upper |
| 24 | 184.222.13 | 1 | Fixing screw |
| 25 | 184.277.13 | 2 | Fixing screw |



| Nr. | Codice | Q.tà | Descrizione |
|-----|------------|------|------------------------------------|
| 26 | 185.024.14 | 2 | Dado attacco ammortizzatore |
| 27 | 310.853.13 | 1 | Attacco ammortizzatore |
| 28 | 184.250.01 | 2 | Vite fissaggio canna |
| 29 | 184.251.01 | 2 | Rondella fodero |
| 30 | 184.094.13 | 10 | Rondella ammortizzatore sup - inf |
| 31 | 184.053.13 | 4 | Rondella attacco ammortizzatore |
| 32 | 185.025.00 | 2 | Dado fissaggio ammortizzatore inf. |
| 33 | 120.515.01 | 2 | Kit tappo |
| 34 | 120.452.01 | 2 | Seeger fissaggio tappo |
| 35 | 184.077.13 | 2 | Rondella braccio |
| -- | 013.062.50 | 1 | Forcella completa |

| Nr. | Code | Q.ty | Description |
|-----|------------|------|------------------------|
| 26 | 185.024.14 | 2 | Fixing nut |
| 27 | 310.853.13 | 1 | Shock absorber bracket |
| 28 | 184.250.01 | 2 | Fixing screw |
| 29 | 184.251.01 | 2 | Washer |
| 30 | 184.094.13 | 10 | Washer upper - lower |
| 31 | 184.053.13 | 4 | Washer |
| 32 | 185.025.00 | 2 | Fixing nut lower |
| 33 | 120.515.01 | 2 | Plug kit |
| 34 | 120.452.01 | 2 | Seeger fixing ring |
| 35 | 184.077.13 | 2 | Washer |
| -- | 013.062.50 | 1 | Front fork assy |

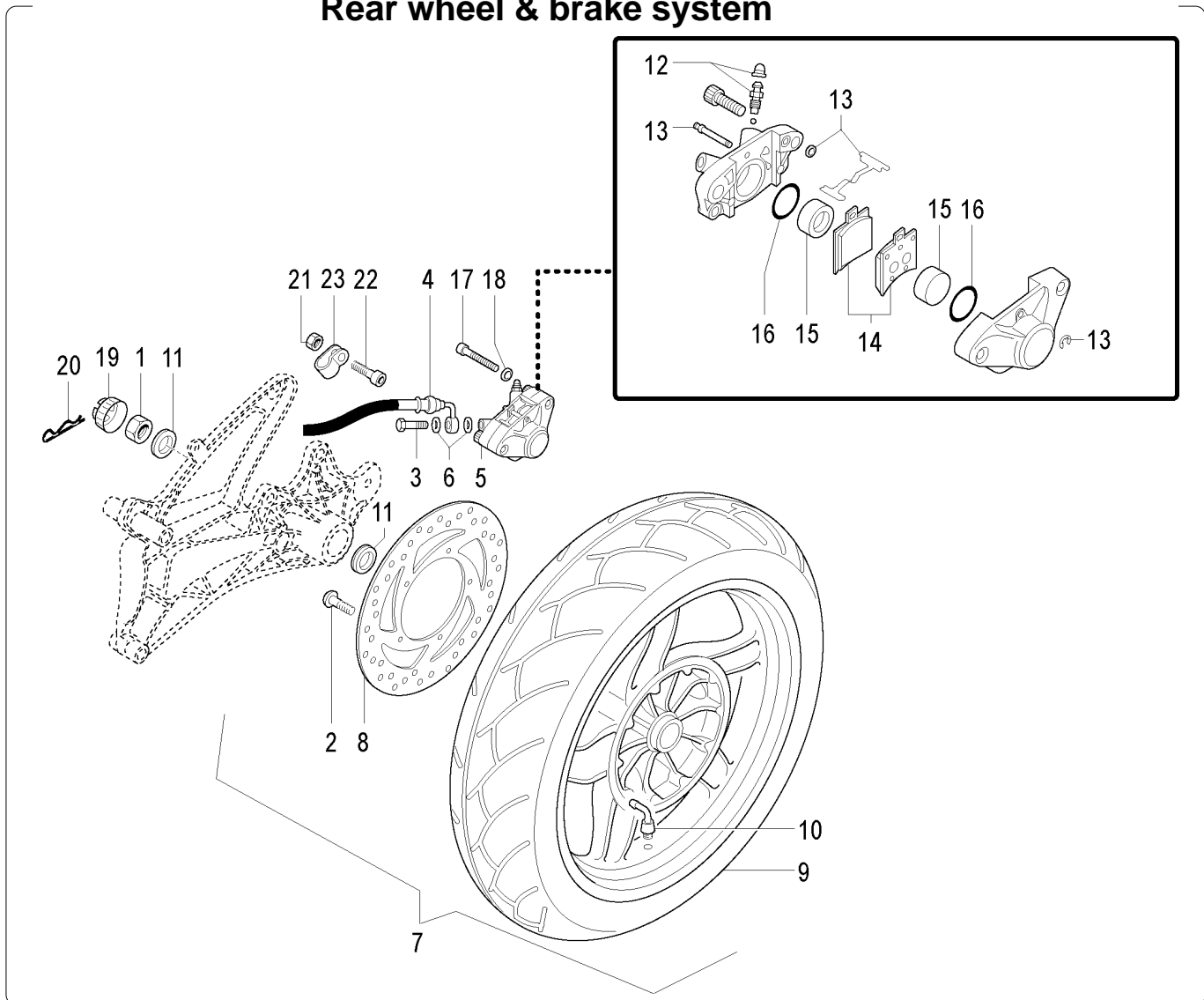
Ruota anteriore & impianto frenante
Front wheel & brake system


| Nr. | Codice | Q.tà | Descrizione |
|-----|--------------|------|---------------------------------|
| 1 | 119.474.00 | 1 | Perno ruota |
| 2 | 178.187.00 | 1 | Rinvio kontakm |
| 3 | 119.478.00 | 2 | Cuscinetto |
| 4 | 119.473.00 | 1 | Distanziale interno |
| 5 | 109.085. - - | 1 | Ruota integrale * |
| 6 | 050.068.00 | 1 | Copertura 120/70 - 14" tubeless |
| 7 | 094.008.00 | 1 | Valvola tubeless |
| 8 | 119.684.00 | 1 | Disco freno |
| 9 | 150.390.13 | 1 | Distanziale |
| 10 | 119.476.00 | 6 | Vite disco freno |
| 11 | 184.220.13 | 1 | Dado ruota |
| 12 | 031.025.08 | 1 | Pinza freno completa |
| 13 | 190.006.00 | 2 | Rasamento |
| 14 | 150.024.14 | 1 | Vite trasmissione idraulica |
| 15 | 033.071.00 | 1 | Trasmissione idraulica |
| 16 | 119.436.00 | 1 | Valvola spurgo |
| 17 | 119.492.00 | 1 | Kit anelli di tenuta |
| 18 | 119.606.00 | 1 | Pistoncini pinza |
| 19 | 119.493.00 | 1 | Pastiglie freno |
| 20 | 119.494.00 | 1 | Kit fissaggio pastiglie |
| 21 | 119.224.00 | 2 | Rondella ruota |
| 22 | 184.255.15 | 1 | Vite |
| 23 | 184.248.01 | 2 | Vite attacco pinza freno |
| 24 | 071.735.03 | 1 | Coperchio distanziale |
| 25 | 167.062.00 | 3 | Fascetta |

| Nr. | Code | Q.ty | Description |
|-----|--------------|------|----------------------------|
| 1 | 119.474.00 | 1 | Front wheel spindle |
| 2 | 178.187.00 | 1 | Speedo drive |
| 3 | 119.478.00 | 2 | Bearing |
| 4 | 119.473.00 | 1 | Spacer |
| 5 | 109.085. - - | 1 | Front wheel assy * |
| 6 | 050.068.00 | 1 | Tubeless tyre 120/70 - 14" |
| 7 | 094.008.00 | 1 | Wheel valve |
| 8 | 119.684.00 | 1 | Brake disc |
| 9 | 150.390.13 | 1 | Spacer |
| 10 | 119.476.00 | 6 | Front brake disc screw |
| 11 | 184.220.13 | 1 | Nut |
| 12 | 031.025.08 | 1 | Front brake caliper |
| 13 | 190.006.00 | 2 | Copper banjo washer |
| 14 | 150.024.14 | 1 | Hydraulic hose screw |
| 15 | 033.071.00 | 1 | Front brake hose |
| 16 | 119.436.00 | 1 | Screw |
| 17 | 119.492.00 | 1 | Seal ring set |
| 18 | 119.606.00 | 1 | Front brake pistons |
| 19 | 119.493.00 | 1 | Brake pads |
| 20 | 119.494.00 | 1 | Pad fixing set |
| 21 | 119.224.00 | 2 | Washer |
| 22 | 184.255.15 | 1 | Screw |
| 23 | 184.248.01 | 2 | Brake caliper fixing screw |
| 24 | 071.735.03 | 1 | Spacer cover |
| 25 | 167.062.00 | 3 | Clamp |

* Specificare colore

* To be completed with colour code

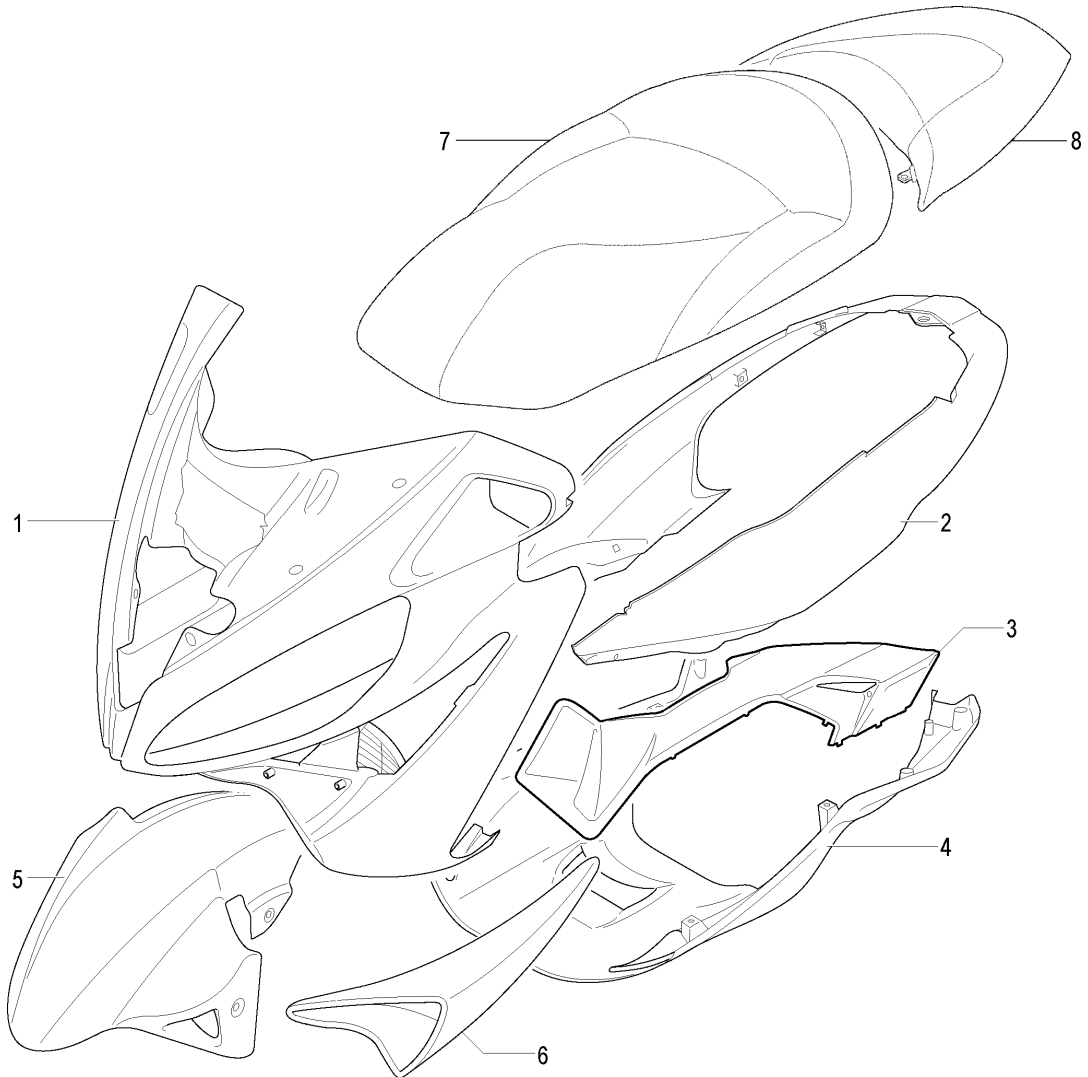


| Nr. | Codice | Q.tà | Descrizione |
|-----|--------------|------|---------------------------------|
| 1 | 185.116.00 | 1 | Dado ruota |
| 2 | 119.484.00 | 6 | Vite disco freno |
| 3 | 150.024.14 | 1 | Vite trasmissione idraulica |
| 4 | 033.072.00 | 1 | Trasmissione idraulica |
| 5 | 031.041.08 | 1 | Pinza freno completa |
| 6 | 190.006.00 | 2 | Rasamento |
| 7 | 110.115. - - | 1 | Ruota integrale * |
| 8 | 119.650.00 | 1 | Disco freno |
| 9 | 050.069.00 | 1 | Copertura 140/60 - 14" tubeless |
| 10 | 094.021.00 | 1 | Valvola tubeless |
| 11 | 150.256.00 | 2 | Distanziale |
| 12 | 119.603.00 | 1 | Vite spurgo |
| 13 | 119.616.00 | 1 | Kit molle pinza |
| 14 | 119.600.00 | 1 | Pastiglie freno |
| 15 | 119.604.00 | 1 | Pistoncini |
| 16 | 119.602.00 | 1 | Kit gommini |
| 17 | 184.304.13 | 2 | Vite attacco pinza freno |
| 18 | 184.053.13 | 2 | Rondella |
| 19 | 184.230.00 | 1 | Cappellotto ruota |
| 20 | 119.310.00 | 1 | Copiglia |
| 21 | 184.153.14 | 1 | Dado |
| 22 | 184.254.15 | 1 | Vite |
| 23 | 167.038.00 | 1 | Fascetta |

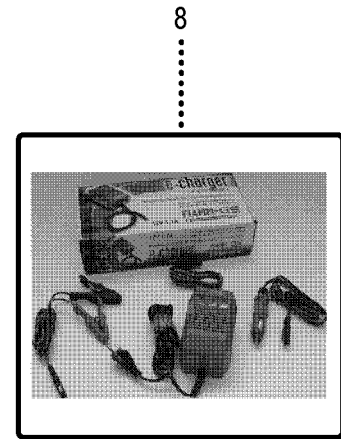
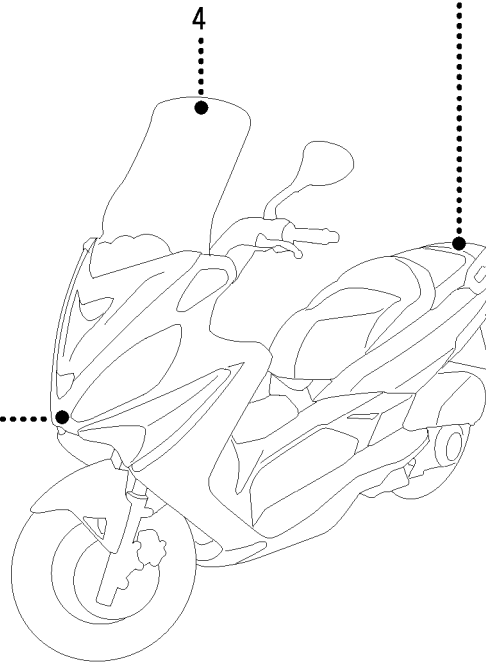
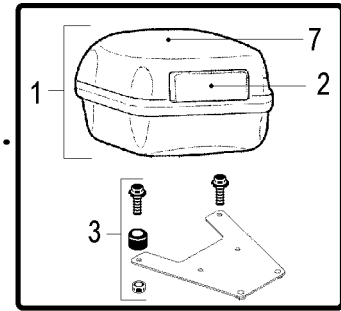
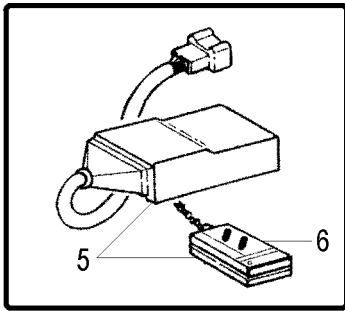
| Nr. | Code | Q.ty | Description |
|-----|--------------|------|----------------------------|
| 1 | 185.116.00 | 1 | Wheel fixing nut |
| 2 | 119.484.00 | 6 | Rear brake disc screw |
| 3 | 150.024.14 | 1 | Hydraulic hose screw |
| 4 | 033.072.00 | 1 | Rear brake hose |
| 5 | 031.041.08 | 1 | Rear brake caliper |
| 6 | 190.006.00 | 2 | Copper banjo washer |
| 7 | 110.115. - - | 1 | Rear wheel assy * |
| 8 | 119.650.00 | 1 | Brake disc |
| 9 | 050.069.00 | 1 | Tubeless tyre 140/60 - 14" |
| 10 | 094.021.00 | 1 | Wheel valve |
| 11 | 150.256.00 | 2 | Spacer |
| 12 | 119.603.00 | 1 | Screw |
| 13 | 119.616.00 | 1 | Support pad set |
| 14 | 119.600.00 | 1 | Brake pad set |
| 15 | 119.604.00 | 1 | Brake piston |
| 16 | 119.602.00 | 1 | Seal ring set |
| 17 | 184.304.13 | 2 | Brake caliper fixing screw |
| 18 | 184.053.13 | 2 | Washer |
| 19 | 184.230.00 | 1 | Wheel cap |
| 20 | 119.310.00 | 1 | Split pin |
| 21 | 184.153.14 | 1 | Nut |
| 22 | 184.254.15 | 1 | Screw |
| 23 | 167.038.00 | 1 | Clamp |

* Specificare colore

* To be completed with colour code

**Colori moto
Colour table**

TABELLA COLORI - COLOUR CODES
Colori - Colours

| N° Nr. | Codice Code | 27 Argento Artic Arctic Silver | 86 Arancio Lucido Orange | 93 Nero Velvet Velvet Black | 82 Blu Velvet Velvet Blue | 75 White Ivory | | | |
|-------------------|------------------------|---|---------------------------------------|--|--|--------------------------|--|--|--|
| 1 | 066.263. | 27 | 86 | 93 | 82 | 75 | | | |
| 2 | 063.272. | 27 | 86 | 93 | 82 | 75 | | | |
| 3 | 063.277. | 98 | 98 | 98 | 98 | 98 | | | |
| 4 | 063.271. | 27 | 86 | 93 | 82 | 75 | | | |
| 5 | 055.072. | 27 | 86 | 93 | 82 | 75 | | | |
| 6 | 071.909. | 98 | 98 | 98 | 98 | 98 | | | |
| 7 | 106.110. | 03 | 03 | 03 | 03 | 05 | | | |
| 8 | 106.109. | 03 | 03 | 03 | 03 | 05 | | | |
| -- | 181.459. | 00 | 00 | 00 | 00 | 00 | | | |

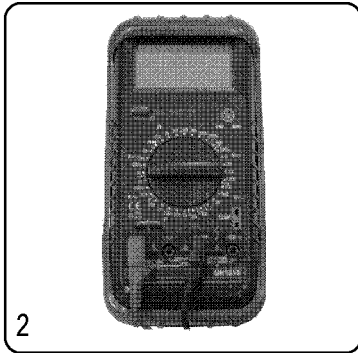
**Accessori
Accessories**


| Nr. | Codice | Q.tà | Descrizione |
|-----|-------------|------|--------------------------------|
| 1 | 065.150. -- | 1 | Baulone porta casco |
| 2 | 065.112.03 | 1 | Schienale per bauletto |
| 3 | 150.393.00 | 1 | Kit fissaggio baule |
| 4 | 063.279.00 | 1 | Parabrezza alto |
| 5 | 018.083.00 | 1 | Antifurto elettronico completo |
| 6 | 018.079.00 | 1 | Telecomando |
| 7 | 065.111. -- | 1 | Cover bauletto |
| 8 | 024.163.00 | 1 | Carica batteria |
| -- | 065.066.00 | 1 | Coprimoto scooter |

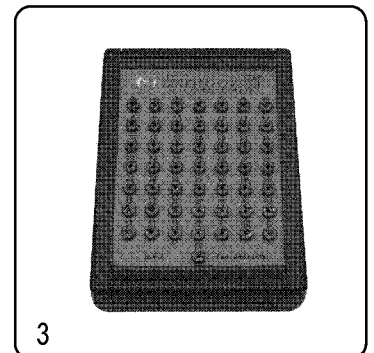
| Nr. | Code | Q.ty | Description |
|-----|-------------|------|--------------------------------|
| 1 | 065.150. -- | 1 | Top case |
| 2 | 065.112.03 | 1 | Top case 2nd passenger cushion |
| 3 | 150.393.00 | 1 | Top case fixing kit |
| 4 | 063.279.00 | 1 | High windscreen |
| 5 | 018.083.00 | 1 | Alarm complete |
| 6 | 018.079.00 | 1 | Remote control |
| 7 | 065.111. -- | 1 | Top case cover |
| 8 | 024.163.00 | 1 | Battery charger |
| -- | 065.066.00 | 1 | Canvas cover |

Tabella colori cover baulone - Top case cover colour codes

| N° Nr. | Codice Code | Nero Black | Argento Artic Arctic Silver | Arancio Lucido Orange | Nero Velvet Velvet Black | Blu Velvet Velvet Blue | White Ivory |
|-----------|----------------|---------------|--------------------------------|--------------------------|-----------------------------|---------------------------|-------------|
| 1 | 065.150. | 03 | 27 | 86 | 93 | 82 | 75 |
| 7 | 065.111. | 03 | 27 | 86 | 93 | 82 | 75 |

Attrezzatura officina
Workshop tools


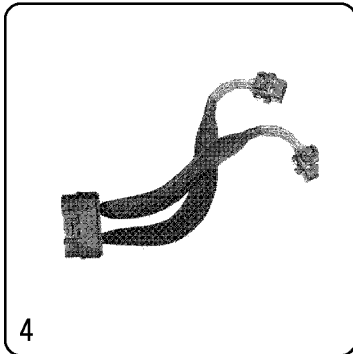
2



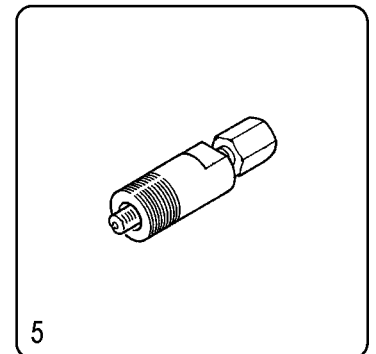
3



1



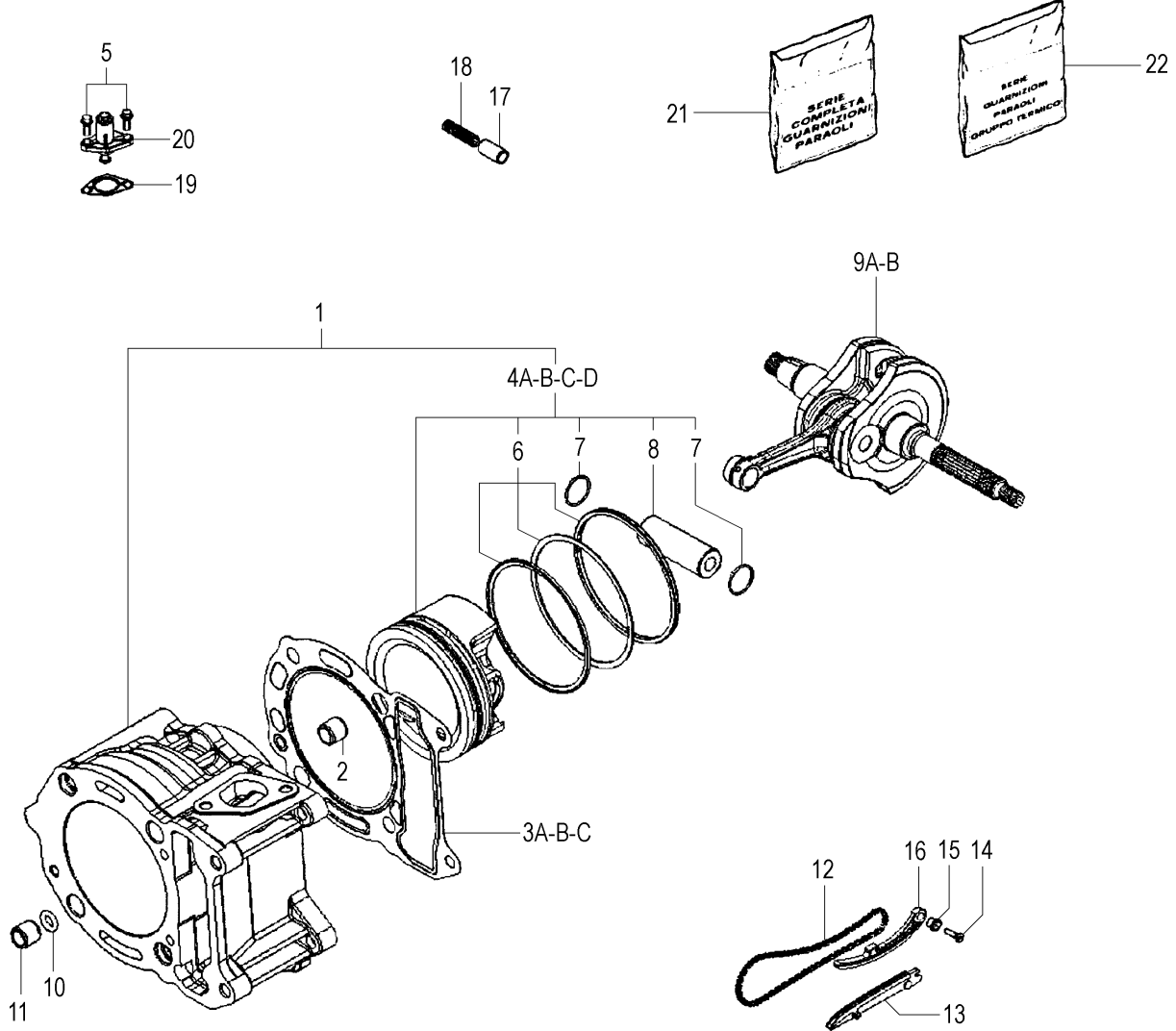
4



5

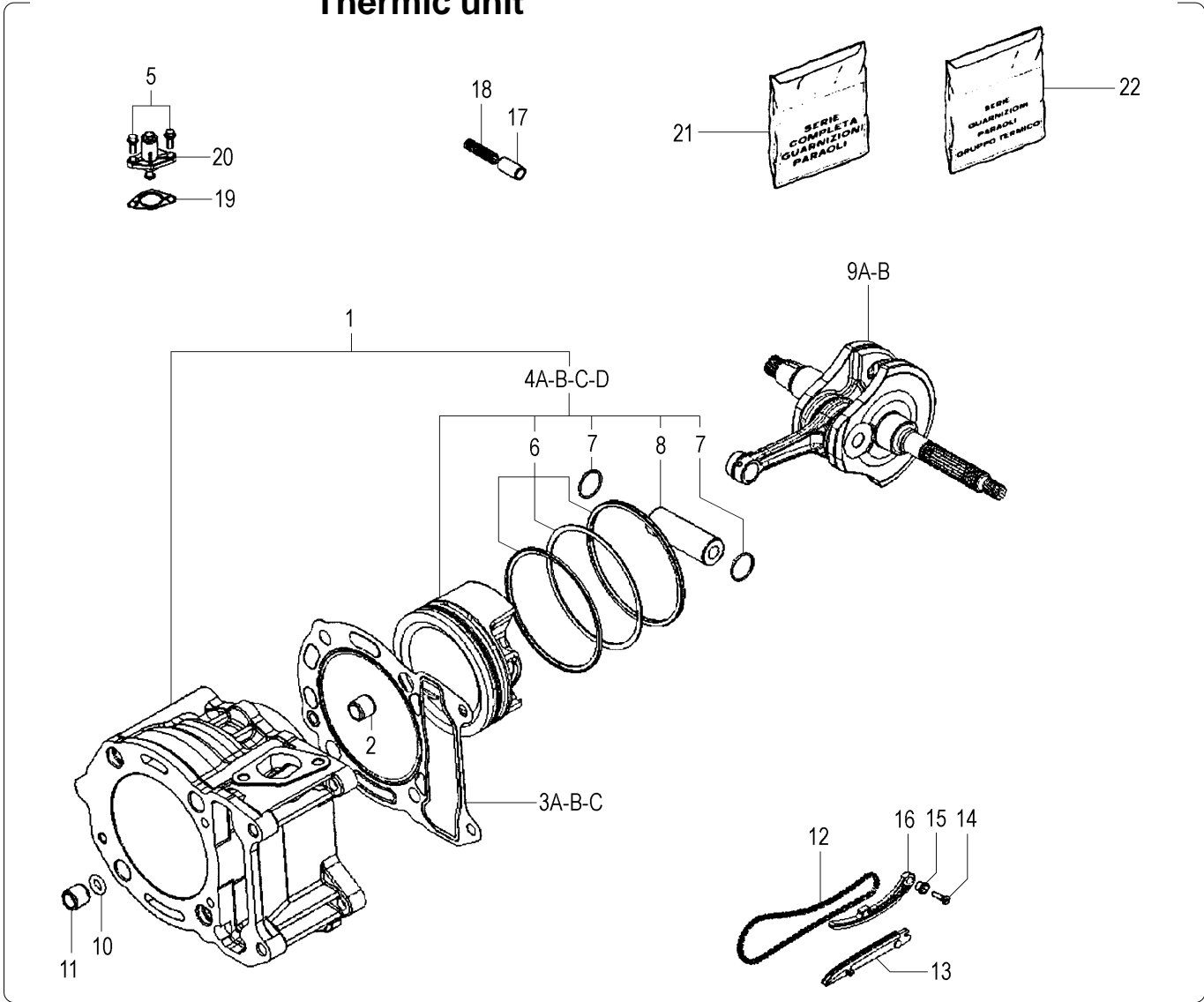
| Nr. | Codice | Q.tà | Descrizione |
|-----|------------|------|------------------------------|
| 1 | 086.075.00 | 1 | Tester diagnosi iniezione |
| 2 | 086.112.00 | 1 | Multimetro (Tester) |
| 3 | 086.116.00 | 1 | Strumento verifica iniezione |
| 4 | 017.471.00 | 1 | Cablaggio di controllo |
| 5 | 086.078.00 | 1 | Estrattore volano |

| Nr. | Code | Q.ty | Description |
|-----|------------|------|-----------------------------|
| 1 | 086.075.00 | 1 | Diagnostic injection tester |
| 2 | 086.112.00 | 1 | Multimeter (Tester) |
| 3 | 086.116.00 | 1 | Injection tester instrument |
| 4 | 017.471.00 | 1 | Adapter wiring |
| 5 | 086.078.00 | 1 | Flywheel puller |



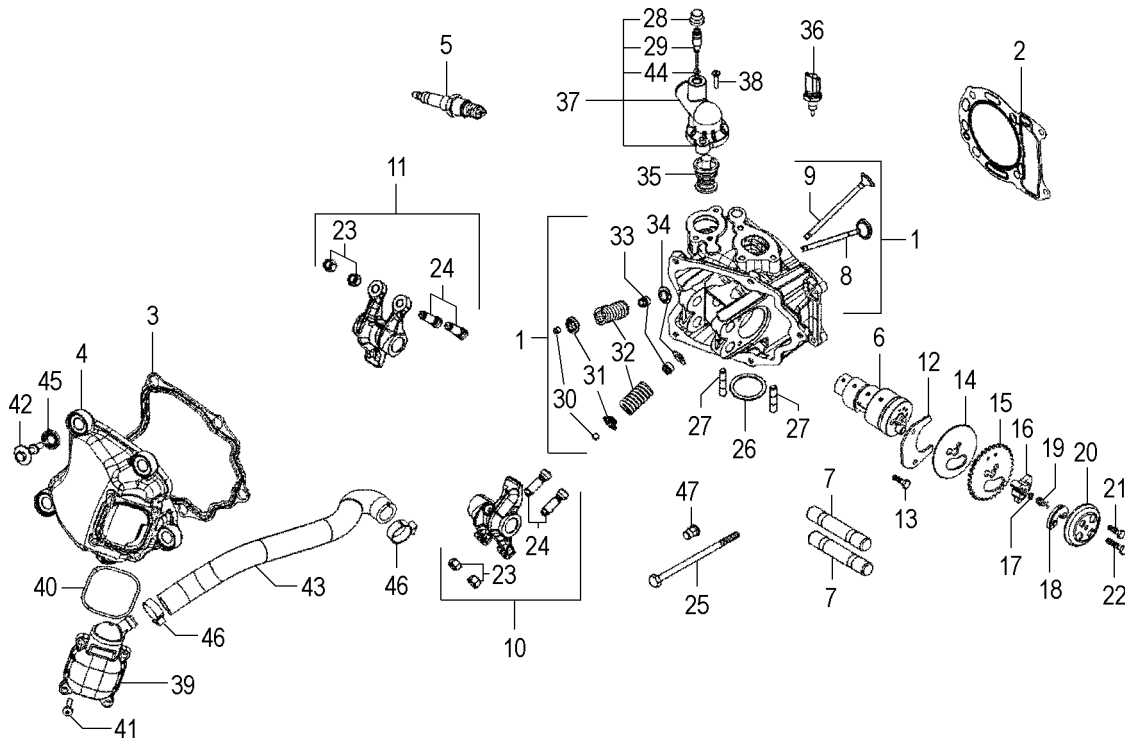
| Nr. | Codice | Q.tà | Descrizione |
|-----|------------|------|---------------------------------|
| 1 | 471.053.00 | 1 | Cilindro completo |
| 2 | 456.010.00 | 2 | Grano di riferimento |
| 3A | 453.003.00 | 1 | Guarnizione base cilindro - 0,4 |
| 3B | 453.004.00 | 1 | Guarnizione base cilindro - 0,6 |
| 3C | 453.005.00 | 1 | Guarnizione base cilindro - 0,8 |
| 4A | 471.054.00 | 1 | Pistone completo - FC1 |
| 4B | 471.055.00 | 1 | Pistone completo - FC2 |
| 4C | 471.056.00 | 1 | Pistone completo - FC3 |
| 4D | 471.057.00 | 1 | Pistone completo - FC4 |
| 5 | 449.059.00 | 2 | Vite tendicaten |
| 6 | 471.018.00 | 1 | Gruppo segmenti |
| 7 | 403.002.00 | 2 | Seeger spinotto |
| 8 | 456.015.00 | 1 | Spinotto pistone |
| 9A | 471.029.00 | 1 | Imbiellaggio completo - FC1 |
| 9B | 471.030.00 | 1 | Imbiellaggio completo - FC2 |
| 10 | 453.039.00 | 4 | O-Ring |
| 11 | 456.016.00 | 2 | Grano di riferimento |
| 12 | 417.008.00 | 1 | Catena distribuzione |
| 13 | 424.023.00 | 1 | Pattino catena |
| 14 | 449.024.00 | 1 | Vite guida catena |
| 15 | 456.014.00 | 1 | Distanziale guida catena |
| 16 | 424.011.00 | 1 | Guida catena |
| 17 | 460.003.00 | 1 | Valvola olio |
| 18 | 446.002.00 | 1 | Molla valvola |
| 19 | 453.091.00 | 1 | Guarnizione tenditore |

| Nr. | Code | Q.ty | Description |
|-----|------------|------|----------------------------|
| 1 | 471.053.00 | 1 | Cylinder assy |
| 2 | 456.010.00 | 2 | Pin |
| 3A | 453.003.00 | 1 | Base cylinder gasket - 0,4 |
| 3B | 453.004.00 | 1 | Base cylinder gasket - 0,6 |
| 3C | 453.005.00 | 1 | Base cylinder gasket - 0,8 |
| 4A | 471.054.00 | 1 | Piston assy - FC1 |
| 4B | 471.055.00 | 1 | Piston assy - FC2 |
| 4C | 471.056.00 | 1 | Piston assy - FC3 |
| 4D | 471.057.00 | 1 | Piston assy - FC4 |
| 5 | 449.059.00 | 2 | Screw |
| 6 | 471.018.00 | 1 | Piston ring set |
| 7 | 403.002.00 | 2 | Piston pin circlip |
| 8 | 456.015.00 | 1 | Piston pin |
| 9A | 471.029.00 | 1 | Crankshaft assy - FC1 |
| 9B | 471.030.00 | 1 | Crankshaft assy - FC2 |
| 10 | 453.039.00 | 4 | O-Ring |
| 11 | 456.016.00 | 2 | Pin |
| 12 | 417.008.00 | 1 | Timing chain |
| 13 | 424.023.00 | 1 | Timing chain sliding shoe |
| 14 | 449.024.00 | 1 | Fixing screw |
| 15 | 456.014.00 | 1 | Spacer |
| 16 | 424.011.00 | 1 | Timing chain sliding guide |
| 17 | 460.003.00 | 1 | Oil valve |
| 18 | 446.002.00 | 1 | Valve spring |
| 19 | 453.091.00 | 1 | Gasket |



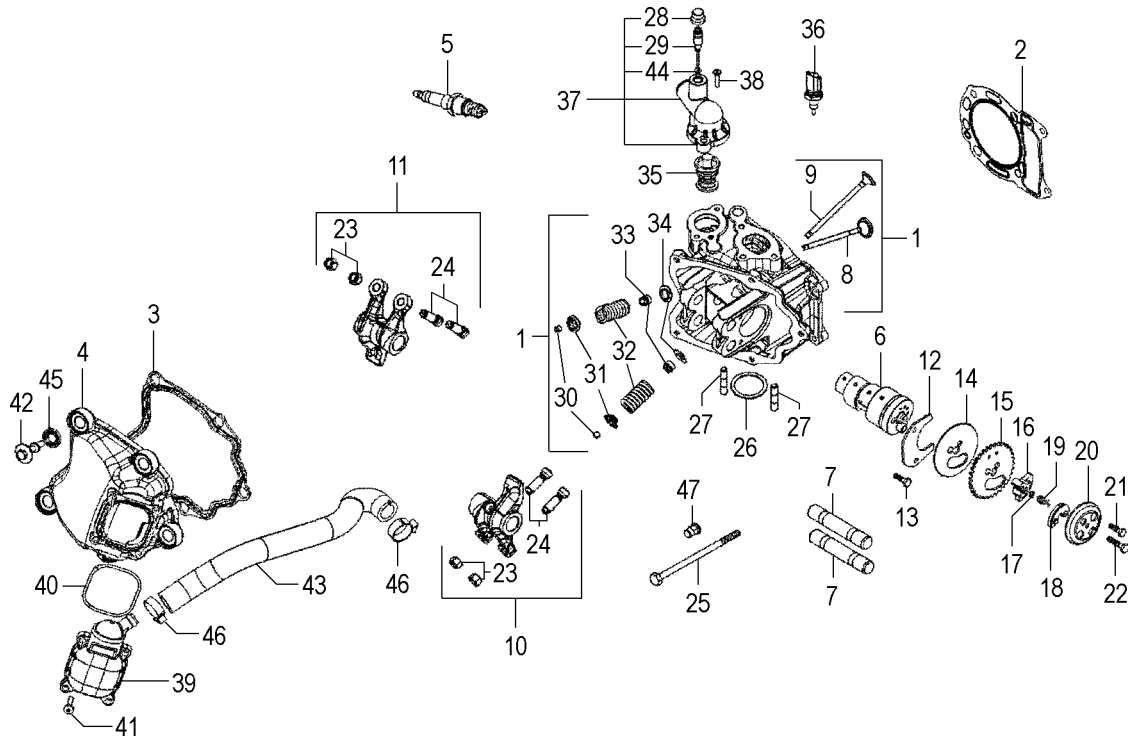
| Nr. | Codice | Q.tà | Descrizione |
|-----|------------|------|---|
| 20 | 465.002.00 | 1 | Tenditore catena |
| 21 | 499.005.00 | 1 | Kit guarnizioni + paraolio motore |
| 22 | 499.014.00 | 1 | Kit guarnizioni + paraolio gruppo termico |
| -- | 141.007.03 | 1 | Motore completo |
| -- | 141.011.03 | 1 | Motore completo (da Novembre 08) |

| Nr. | Code | Q.ty | Description |
|-----|------------|------|----------------------------|
| 20 | 465.002.00 | 1 | Chain tensioner |
| 21 | 499.005.00 | 1 | Gasket and oil seal set |
| 22 | 499.014.00 | 1 | Thermic unit gasket set |
| -- | 141.007.03 | 1 | Engine assy |
| -- | 141.011.03 | 1 | Engine assy (from Nov. 08) |

Testa & valvole
Head & valves


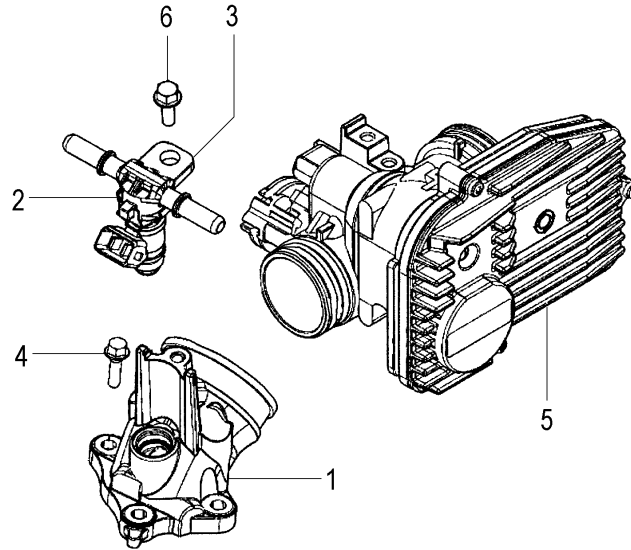
| Nr. | Codice | Q.tà | Descrizione |
|-----|------------|------|--------------------------------|
| 1 | 477.035.00 | 1 | Testa completa |
| 2 | 453.038.00 | 1 | Guarnizione testa |
| 3 | 453.027.00 | 1 | Guarnizione coperchio valvole |
| 4 | 421.013.00 | 1 | Coperchio valvole |
| 5 | 411.006.00 | 1 | Candela CHAMPION RG4PHP |
| 6 | 401.025.00 | 1 | Albero a camme |
| 7 | 456.003.00 | 2 | Asse bilanciere |
| 8 | 460.028.00 | 2 | Valvola aspirazione |
| 9 | 460.029.00 | 2 | Valvola scarico |
| 10 | 401.007.00 | 2 | Bilanciere valvola scarico |
| 11 | 401.008.00 | 2 | Bilanciere valvola aspirazione |
| 12 | 426.061.00 | 1 | Lamierino protezione |
| 13 | 449.016.00 | 2 | Vite lamierino |
| 14 | 449.017.00 | 1 | Rondella |
| 15 | 440.010.00 | 1 | Ingranaggio distribuzione |
| 16 | 440.001.00 | 1 | Contrappeso |
| 17 | 453.017.00 | 1 | Guarnizione |
| 18 | 440.011.00 | 1 | Massetta |
| 19 | 446.003.00 | 1 | Molla |
| 20 | 456.012.00 | 1 | Coperchio massetta |
| 21 | 449.018.00 | 1 | Vite coperchio |
| 22 | 449.015.00 | 1 | Vite coperchio |
| 23 | 449.013.00 | 4 | Dado registro valvole |
| 24 | 449.014.00 | 4 | Vite registro valvole |
| 25 | 449.157.00 | 2 | Bullone testa |

| Nr. | Code | Q.ty | Description |
|-----|------------|------|----------------------------|
| 1 | 477.035.00 | 1 | Cylinder head assy |
| 2 | 453.038.00 | 1 | Cylinder head gasket |
| 3 | 453.027.00 | 1 | Valve cover gasket |
| 4 | 421.013.00 | 1 | Valve cover |
| 5 | 411.006.00 | 1 | Spark plug CHAMPION RG4PHP |
| 6 | 401.025.00 | 1 | Cam shaft assy |
| 7 | 456.003.00 | 2 | Rocker arm shaft |
| 8 | 460.028.00 | 2 | Intake valve |
| 9 | 460.029.00 | 2 | Exhaust valve |
| 10 | 401.007.00 | 2 | Exhaust rocker arm |
| 11 | 401.008.00 | 2 | Intake rocker arm |
| 12 | 426.061.00 | 1 | Sheet |
| 13 | 449.016.00 | 2 | Screw |
| 14 | 449.017.00 | 1 | Washer |
| 15 | 440.010.00 | 1 | Cam chain sprocket |
| 16 | 440.001.00 | 1 | Counterweight |
| 17 | 453.017.00 | 1 | Gasket |
| 18 | 440.011.00 | 1 | Counterweight |
| 19 | 446.003.00 | 1 | Spring |
| 20 | 456.012.00 | 1 | Cover |
| 21 | 449.018.00 | 1 | Screw |
| 22 | 449.015.00 | 1 | Screw |
| 23 | 449.013.00 | 4 | Nut |
| 24 | 449.014.00 | 4 | Valve adjusting screw |
| 25 | 449.157.00 | 2 | Bolt |

Testa & valvole
Head & valves


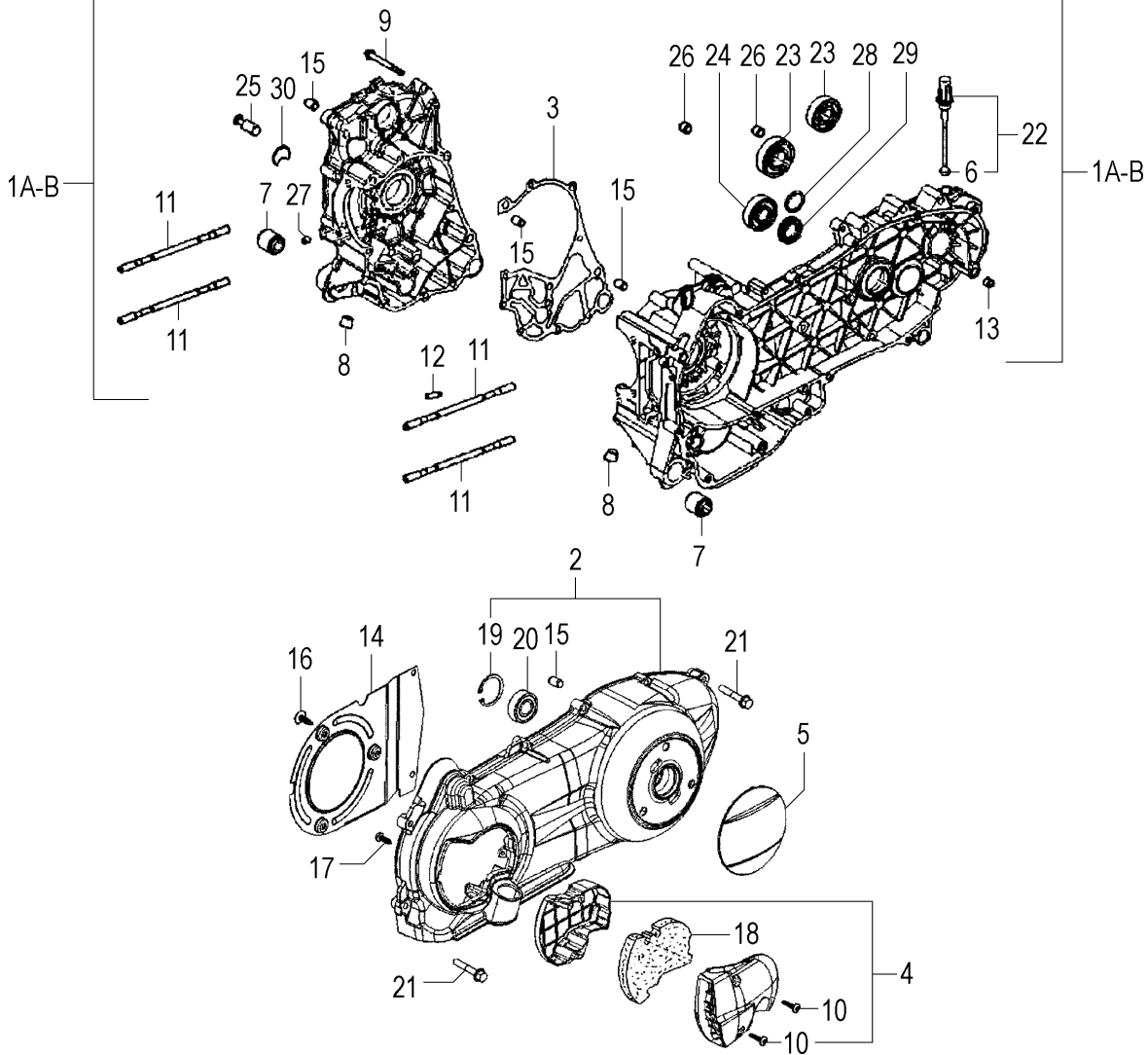
| Nr. | Codice | Q.tà | Descrizione |
|-----|------------|------|----------------------------------|
| 26 | 072.152.00 | 1 | Guarnizione scarico |
| 27 | 449.011.00 | 2 | Prigioniero scarico |
| 28 | 421.037.00 | 1 | Cappuccio spurgo |
| 29 | 449.160.00 | 1 | Vite spurgo |
| 30 | 403.001.00 | 8 | Semicono tenuta valvola |
| 31 | 426.001.00 | 4 | Scodellino superiore valvola |
| 32 | 446.001.00 | 4 | Molla valvola |
| 33 | 453.006.00 | 4 | Anello tenuta valvola |
| 34 | 426.002.00 | 4 | Scodellino inferiore valvola |
| 35 | 456.052.00 | 1 | Termostato acqua |
| 36 | 456.051.00 | 1 | Sensore temperatura acqua |
| 36 | 456.062.00 | 1 | Sensore temp. acqua (da Nov. 08) |
| 37 | 421.057.00 | 1 | Coperchio termostato |
| 38 | 449.159.00 | 2 | Vite coperchio termostato |
| 39 | 456.004.00 | 1 | Gruppo valvola sfiato olio |
| 40 | 453.018.00 | 1 | Guarnizione coperchio sfiato |
| 41 | 449.043.00 | 4 | Vite valvola sfiato |
| 42 | 449.187.00 | 5 | Bullone coperchio valvole |
| 43 | 449.045.00 | 1 | Tubo sfiato vapori olio |
| 44 | 453.088.00 | 1 | Anello O-Ring |
| 45 | 421.026.00 | 5 | Tampone smorzatore |
| 46 | 167.031.00 | 2 | Fascetta |
| 47 | 449.006.00 | 4 | Dado fissaggio testa |
| -- | 141.007.03 | 1 | Motore completo |
| -- | 141.011.03 | 1 | Motore completo (da Novembre 08) |

| Nr. | Code | Q.ty | Description |
|-----|------------|------|----------------------------|
| 26 | 072.152.00 | 1 | Exhaust gasket |
| 27 | 449.011.00 | 2 | Stud bolt |
| 28 | 421.037.00 | 1 | Cap |
| 29 | 449.160.00 | 1 | Screw |
| 30 | 403.001.00 | 8 | Valve seal |
| 31 | 426.001.00 | 4 | Cap |
| 32 | 446.001.00 | 4 | Valve spring |
| 33 | 453.006.00 | 4 | Valve stem seal |
| 34 | 426.002.00 | 4 | Cap |
| 35 | 456.052.00 | 1 | Thermostat |
| 36 | 456.051.00 | 1 | Thermistor |
| 36 | 456.062.00 | 1 | Thermistor (from Nov. 08) |
| 37 | 421.057.00 | 1 | Thermostat cover |
| 38 | 449.159.00 | 2 | Screw |
| 39 | 456.004.00 | 1 | Oil breather valve set |
| 40 | 453.018.00 | 1 | Oil breather cover gasket |
| 41 | 449.043.00 | 4 | Screw |
| 42 | 449.187.00 | 5 | Bolt |
| 43 | 449.045.00 | 1 | Oil breather hose |
| 44 | 453.088.00 | 1 | O-Ring |
| 45 | 421.026.00 | 5 | Buffer |
| 46 | 167.031.00 | 2 | Clamp |
| 47 | 449.006.00 | 4 | Nut |
| -- | 141.007.03 | 1 | Engine assy |
| -- | 141.011.03 | 1 | Engine assy (from Nov. 08) |

Corpo farfallato
Throttle body


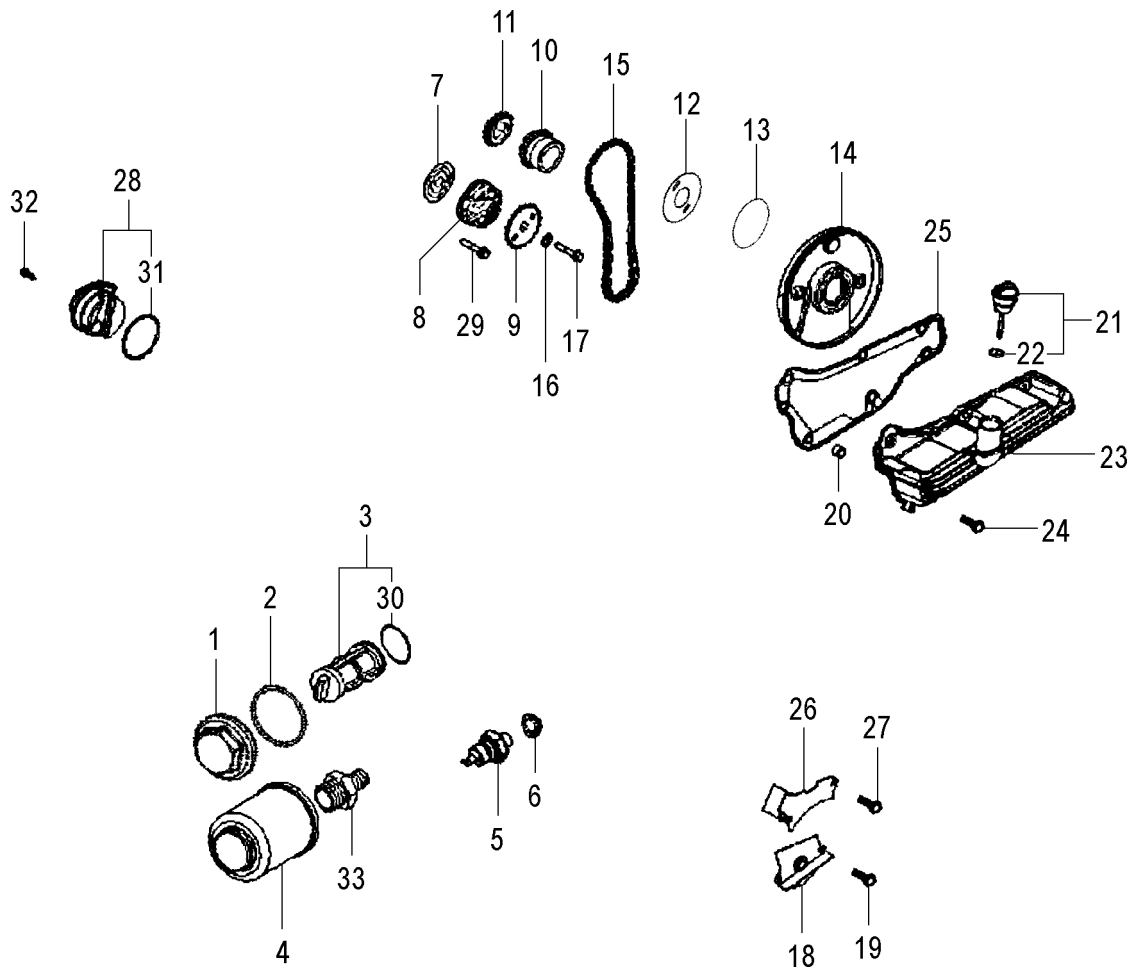
| Nr. | Codice | Q.tà | Descrizione |
|-----|------------|------|-------------------------------|
| 1 | 460.031.00 | 1 | Raccordo ammissione |
| 2 | 415.008.00 | 1 | Iniettore completo |
| 3 | 449.117.00 | 1 | Supporto iniettore |
| 4 | 449.020.00 | 3 | Vite |
| 5 | 415.009.00 | 1 | Corpo farfallato |
| 5 | 415.013.00 | 1 | Corpo farfallato (da Nov. 08) |
| 6 | 449.105.00 | 1 | Vite |

| Nr. | Code | Q.ty | Description |
|-----|------------|------|------------------------------|
| 1 | 460.031.00 | 1 | Intake manifold |
| 2 | 415.008.00 | 1 | Injector assy |
| 3 | 449.117.00 | 1 | Injector bracket |
| 4 | 449.020.00 | 3 | Bolt |
| 5 | 415.009.00 | 1 | Throttle body |
| 5 | 415.013.00 | 1 | Throttle body (from Nov. 08) |
| 6 | 449.105.00 | 1 | Screw |



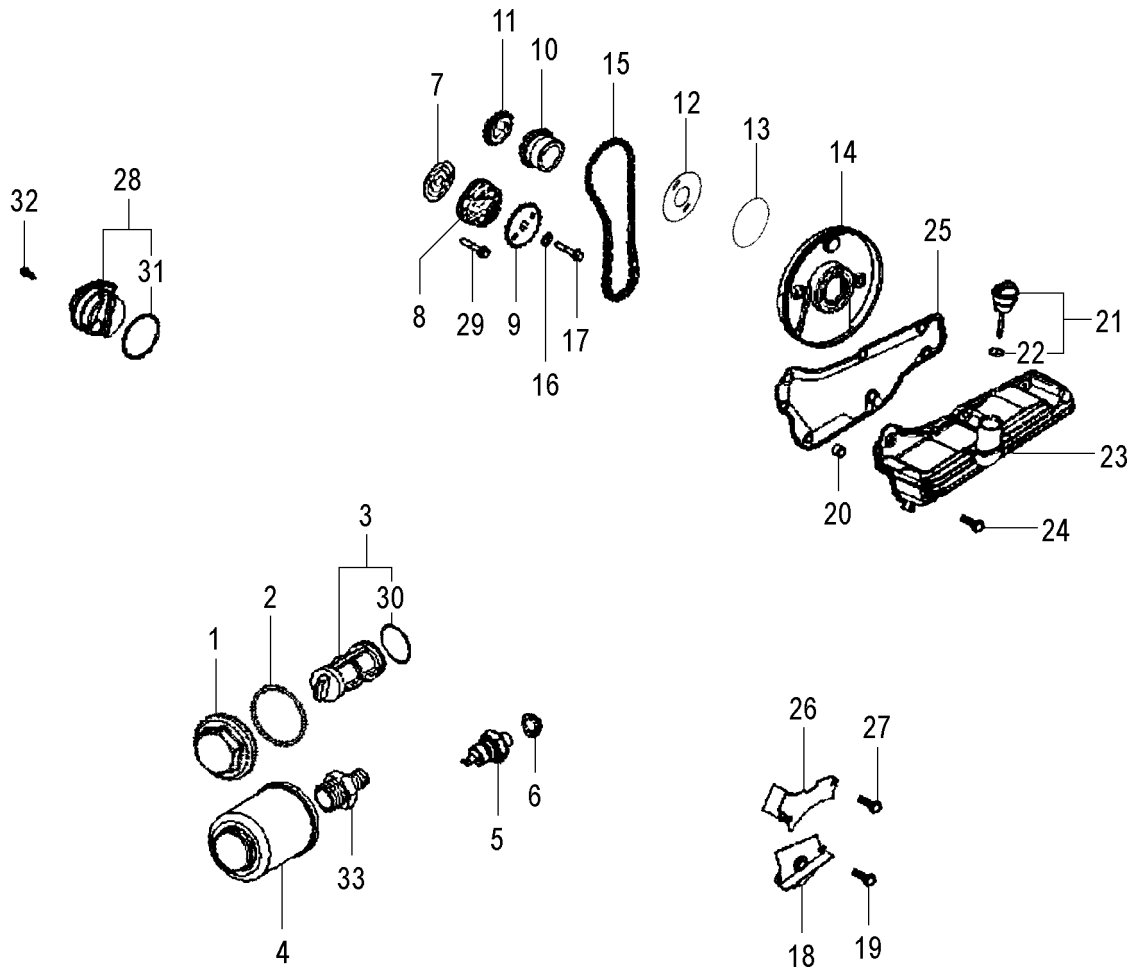
| Nr. | Codice | Q.tà | Descrizione |
|-----|------------|------|----------------------|
| 25 | 449.053.00 | 1 | Perno aggancio molla |
| 26 | 456.016.00 | 2 | Grano riferimento |
| 27 | 424.022.00 | 1 | Ugello calibrato |
| 28 | 403.004.00 | 1 | Seeger carter |
| 29 | 451.011.00 | 1 | Paraolio carter |
| 30 | 426.066.00 | 1 | Scodellino carter |

| Nr. | Code | Q.ty | Description |
|-----|------------|------|-------------|
| 25 | 449.053.00 | 1 | Pivot |
| 26 | 456.016.00 | 2 | Pin |
| 27 | 424.022.00 | 1 | Nozzle |
| 28 | 403.004.00 | 1 | Seeger |
| 29 | 451.011.00 | 1 | Oil seal |
| 30 | 426.066.00 | 1 | Plate |

Pompa olio & filtro olio
Oil pump & filter


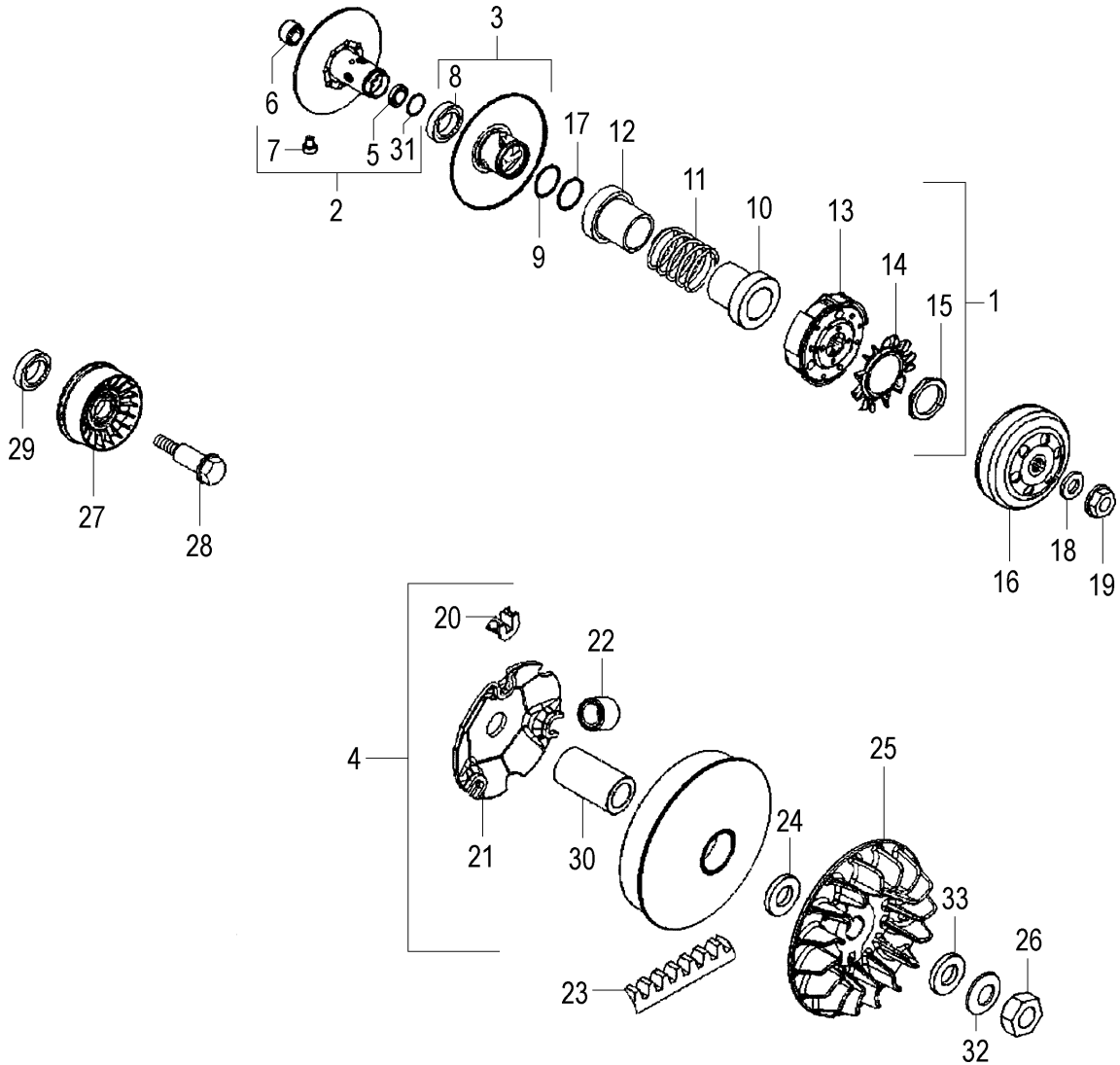
| Nr. | Codice | Q.tà | Descrizione |
|-----|------------|------|------------------------------|
| 1 | 421.002.00 | 1 | Tappo filtro olio |
| 2 | 453.009.00 | 1 | Anello O-Ring |
| 3 | 464.004.00 | 1 | Filtrino olio |
| 4 | 464.002.00 | 1 | Cartuccia filtro olio |
| 5 | 456.018.00 | 1 | Pressostato olio |
| 6 | 449.001.00 | 1 | Rondella |
| 7 | 453.010.00 | 1 | Guarnizione pompa olio |
| 8 | 464.003.00 | 1 | Pompa olio |
| 9 | 440.004.00 | 1 | Pignone catena pompa olio |
| 10 | 440.005.00 | 1 | Pignone pompa olio |
| 11 | 440.016.00 | 1 | Pignone catena distribuzione |
| 12 | 449.030.00 | 1 | Rondella |
| 13 | 453.016.00 | 1 | Anello O-Ring |
| 14 | 426.062.00 | 1 | Coperchio pompa olio |
| 15 | 417.005.00 | 1 | Catena pompa olio |
| 16 | 449.025.00 | 1 | Rondella a tazza |
| 17 | 449.061.00 | 1 | Vite pignone catena |
| 18 | 426.011.00 | 1 | Paratia inferiore |
| 19 | 449.105.00 | 2 | Vite paratia inferiore |
| 20 | 456.010.00 | 3 | Spina riferimento |
| 21 | 421.004.00 | 1 | Tappo immissione olio |
| 22 | 453.022.00 | 1 | Guarnizione tappo olio |
| 23 | 421.058.00 | 1 | Coppa olio |
| 24 | 449.037.00 | 7 | Vite coppa olio |
| 25 | 453.089.00 | 1 | Guarnizione coppa olio |

| Nr. | Code | Q.ty | Description |
|-----|------------|------|----------------------|
| 1 | 421.002.00 | 1 | Plug |
| 2 | 453.009.00 | 1 | O-Ring |
| 3 | 464.004.00 | 1 | Oil filter |
| 4 | 464.002.00 | 1 | Oil filter cartridge |
| 5 | 456.018.00 | 1 | Oil pressure switch |
| 6 | 449.001.00 | 1 | Washer |
| 7 | 453.010.00 | 1 | Gasket |
| 8 | 464.003.00 | 1 | Oil pump |
| 9 | 440.004.00 | 1 | Chain pinion |
| 10 | 440.005.00 | 1 | Oil pump pinion |
| 11 | 440.016.00 | 1 | Cam chain pinion |
| 12 | 449.030.00 | 1 | Washer |
| 13 | 453.016.00 | 1 | O-Ring |
| 14 | 426.062.00 | 1 | Oil pump cover assy |
| 15 | 417.005.00 | 1 | Oil pump chain |
| 16 | 449.025.00 | 1 | Washer |
| 17 | 449.061.00 | 1 | Screw |
| 18 | 426.011.00 | 1 | Lower panel |
| 19 | 449.105.00 | 2 | Screw |
| 20 | 456.010.00 | 3 | Pin |
| 21 | 421.004.00 | 1 | Plug |
| 22 | 453.022.00 | 1 | Gasket |
| 23 | 421.058.00 | 1 | Oil sump |
| 24 | 449.037.00 | 7 | Screw |
| 25 | 453.089.00 | 1 | Oil sump gasket |

Pompa olio & filtro olio
Oil pump & filter


| Nr. | Codice | Q.tà | Descrizione |
|-----|------------|------|-----------------------------|
| 26 | 426.013.00 | 1 | Paratia superiore |
| 27 | 449.105.00 | 2 | Vite paratia superiore |
| 28 | 426.060.00 | 1 | Supporto filtro |
| 29 | 449.162.00 | 2 | Vite pompa olio |
| 30 | 453.040.00 | 1 | Anello O-Ring |
| 31 | 453.086.00 | 1 | Guarnizione supporto filtro |
| 32 | 449.007.00 | 1 | Vite supporto filtro |
| 33 | 449.161.00 | 1 | Vite filtro olio |

| Nr. | Code | Q.ty | Description |
|-----|------------|------|---------------------------|
| 26 | 426.013.00 | 1 | Upper panel |
| 27 | 449.105.00 | 2 | Screw |
| 28 | 426.060.00 | 1 | Oil filter bracket |
| 29 | 449.162.00 | 2 | Screw |
| 30 | 453.040.00 | 1 | O-Ring |
| 31 | 453.086.00 | 1 | Oil filter bracket gasket |
| 32 | 449.007.00 | 1 | Screw |
| 33 | 449.161.00 | 1 | Screw |

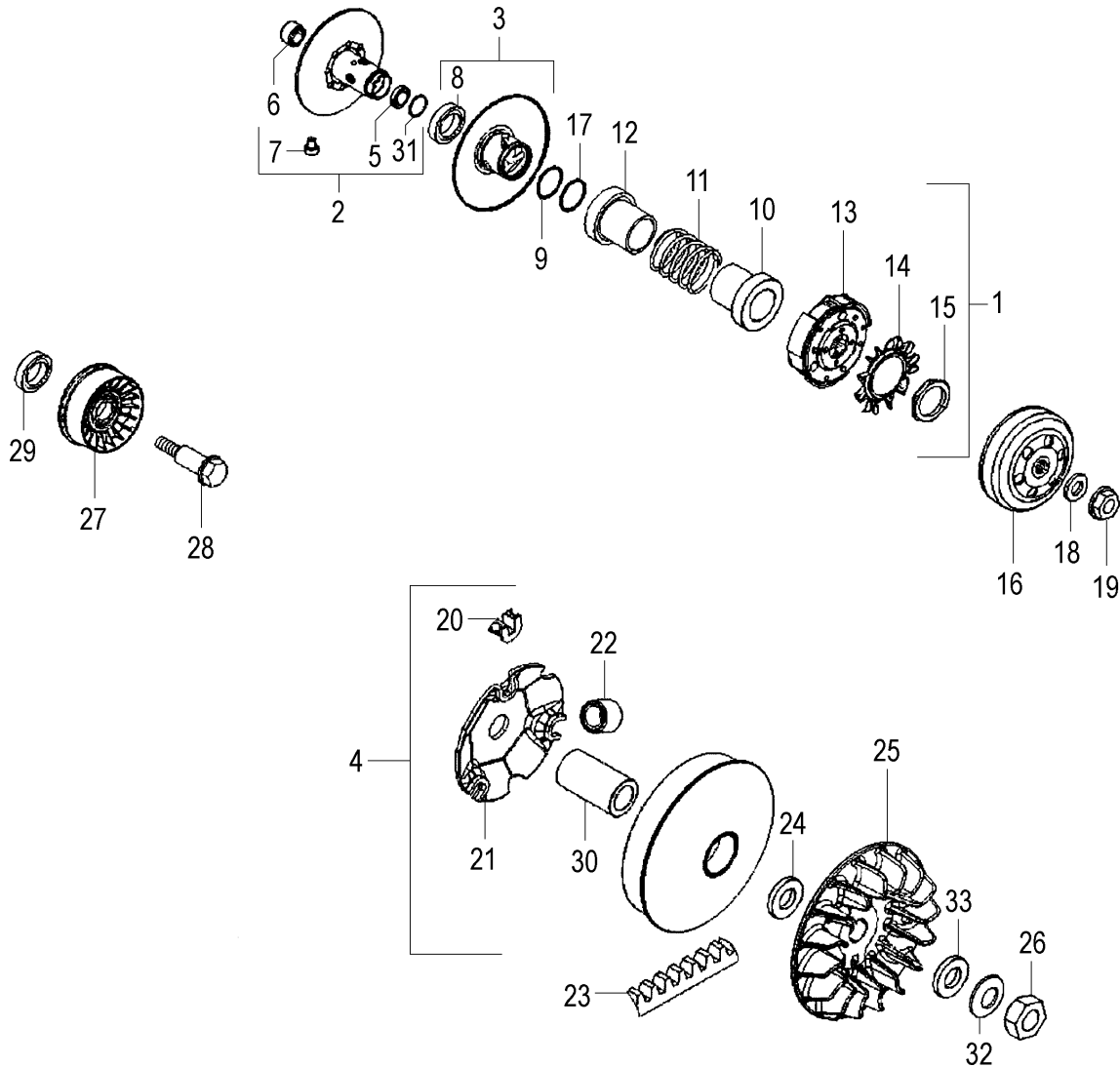
Puleggia & trasmissione
Pulley & transmission


| Nr. | Codice | Q.tà | Descrizione |
|-----|--------|------|-------------|
|-----|--------|------|-------------|

| | | | |
|----|------------|---|---|
| 1 | 440.037.00 | 1 | Gruppo variatore posteriore |
| 2 | 426.024.00 | 1 | Puleggia secondaria fissa |
| 3 | 426.064.00 | 1 | Puleggia secondaria mobile |
| 4 | 460.011.00 | 1 | Puleggia anteriore mobile |
| 5 | 451.010.00 | 1 | Cuscinetto posteriore puleggia secondaria |
| 6 | 451.009.00 | 1 | Cuscinetto anteriore puleggia secondaria |
| 7 | 456.013.00 | 4 | Rullino guida |
| 8 | 453.020.00 | 2 | Paraolio puleggia secondaria |
| 9 | 453.021.00 | 1 | Anello tenuta puleggia secondaria |
| 10 | 426.026.00 | 1 | Scodellino lato puleggia |
| 11 | 446.006.00 | 1 | Molla contrasto variatore |
| 12 | 426.009.00 | 1 | Scodellino lato frizione |
| 13 | 435.007.00 | 1 | Frizione centrifuga completa |
| 14 | 426.010.00 | 1 | Ventola variatore |
| 15 | 449.021.00 | 1 | Dado fissaggio frizione |
| 16 | 426.065.00 | 1 | Campana frizione |
| 17 | 453.064.00 | 1 | Anello O-Ring |
| 18 | 449.023.00 | 1 | Rondella |
| 19 | 449.002.00 | 1 | Dado campana frizione |
| 20 | 424.024.00 | 3 | Tassello scorrevole |
| 21 | 426.063.00 | 1 | Cappello porta rulli |
| 22 | 456.037.00 | 1 | Serie masse centrifughe (6 pz.) |
| 23 | 417.009.00 | 1 | Cinghia trasmissione |
| 24 | 449.033.00 | 1 | Spessore puleggia anteriore fissa |

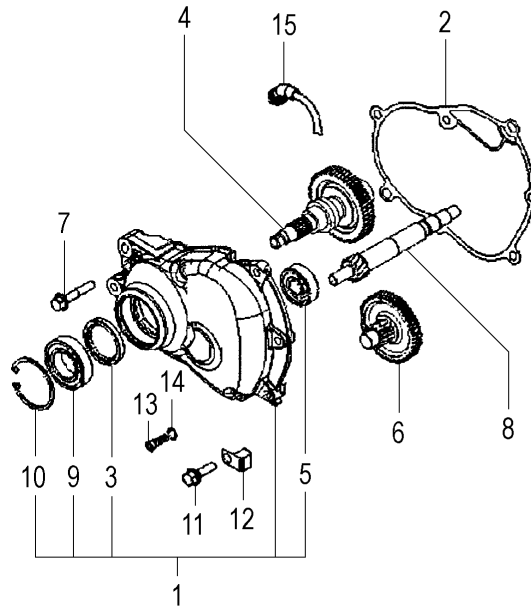
| Nr. | Code | Q.ty | Description |
|-----|------|------|-------------|
|-----|------|------|-------------|

| | | | |
|----|------------|---|----------------------------------|
| 1 | 440.037.00 | 1 | Variable transmission clutch set |
| 2 | 426.024.00 | 1 | Secondary fixed pulley |
| 3 | 426.064.00 | 1 | Secondary pulley |
| 4 | 460.011.00 | 1 | Primary pulley |
| 5 | 451.010.00 | 1 | Secondary pulley bearing |
| 6 | 451.009.00 | 1 | Primary pulley bearing |
| 7 | 456.013.00 | 4 | Guide pin |
| 8 | 453.020.00 | 2 | Oil seal |
| 9 | 453.021.00 | 1 | Gasket |
| 10 | 426.026.00 | 1 | Spring holder cup |
| 11 | 446.006.00 | 1 | Spring |
| 12 | 426.009.00 | 1 | Spring holder cup |
| 13 | 435.007.00 | 1 | Clutch assy |
| 14 | 426.010.00 | 1 | Fan |
| 15 | 449.021.00 | 1 | Nut |
| 16 | 426.065.00 | 1 | Clutch housing |
| 17 | 456.064.00 | 1 | O-Ring |
| 18 | 449.023.00 | 1 | Washer |
| 19 | 449.002.00 | 1 | Nut |
| 20 | 424.024.00 | 3 | Dowel |
| 21 | 426.063.00 | 1 | Housing cap |
| 22 | 456.037.00 | 1 | Centrifugal rollers (6 pcs.) |
| 23 | 417.009.00 | 1 | V-belt |
| 24 | 449.033.00 | 1 | Washer |



| Nr. | Codice | Q.tà | Descrizione |
|-----|------------|------|--------------------------------|
| 25 | 460.012.00 | 1 | Semipuleggia anteriore fissa |
| 26 | 449.002.00 | 1 | Dado fissaggio puleggia |
| 27 | 460.006.00 | 1 | Puleggia limitatore coppia |
| 28 | 449.035.00 | 1 | Vite fissaggio puleggia |
| 29 | 451.005.00 | 1 | Cuscinetto puleggia limitatore |
| 30 | 451.012.00 | 1 | Boccola scorrimento puleggia |
| 31 | 453.041.00 | 1 | Anello tenuta |
| 32 | 446.007.00 | 1 | Molla a tazza |
| 33 | 449.070.00 | 1 | Rondella puleggia anteriore |

| Nr. | Code | Q.ty | Description |
|-----|------------|------|---------------------------|
| 25 | 460.012.00 | 1 | Primary fixed half pulley |
| 26 | 449.002.00 | 1 | Nut |
| 27 | 460.006.00 | 1 | Pulley |
| 28 | 449.035.00 | 1 | Fixing screw |
| 29 | 451.005.00 | 1 | Bearing |
| 30 | 451.012.00 | 1 | Bush |
| 31 | 453.041.00 | 1 | Gasket |
| 32 | 446.007.00 | 1 | Spring |
| 33 | 449.070.00 | 1 | Washer |



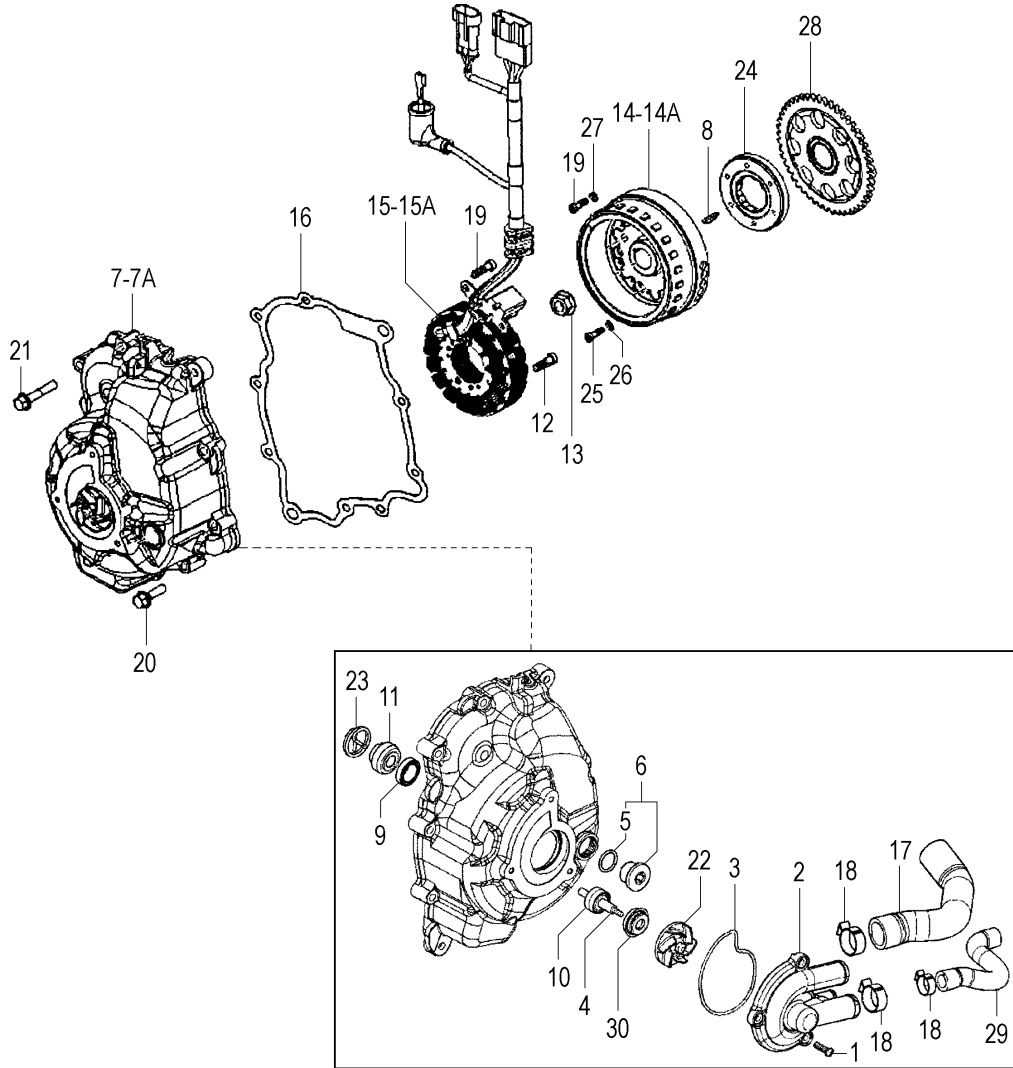
| Nr. | Codice | Q.tà | Descrizione |
|-----|------------|------|------------------------------------|
| 1 | 421.027.00 | 1 | Coperchio trasmissione |
| 2 | 453.030.00 | 1 | Guarnizione coperchio trasmissione |
| 3 | 453.097.00 | 1 | Paraolio albero uscita moto |
| 4 | 401.014.00 | 1 | Albero uscita moto |
| 5 | 451.002.00 | 1 | Cuscinetto ingranaggio doppio |
| 6 | 440.021.00 | 1 | Ingranaggio doppio intermedio |
| 7 | 449.031.00 | 6 | Vite coperchio trasmissione |
| 8 | 401.013.00 | 1 | Albero puleggia condotta |
| 9 | 451.013.00 | 1 | Cuscinetto albero uscita moto |
| 10 | 403.007.00 | 1 | Seeger |
| 11 | 449.032.00 | 1 | Vite coperchio trasmissione |
| 12 | 403.010.00 | 1 | Fascetta |
| 13 | 449.071.00 | 1 | Vite coperchio trasmissione |
| 14 | 449.072.00 | 1 | Rondella |
| 15 | 456.020.00 | 1 | Gruppo sfiato riduttore |

| Nr. | Code | Q.ty | Description |
|-----|------------|------|---------------------|
| 1 | 421.027.00 | 1 | Gear cover |
| 2 | 453.030.00 | 1 | Gear cover gasket |
| 3 | 453.097.00 | 1 | Oil seal |
| 4 | 401.014.00 | 1 | Drive shaft assy |
| 5 | 451.002.00 | 1 | Bearing |
| 6 | 440.021.00 | 1 | Idle gear assy |
| 7 | 449.031.00 | 6 | Screw |
| 8 | 401.013.00 | 1 | Primary drive shaft |
| 9 | 451.013.00 | 1 | Bearing |
| 10 | 403.007.00 | 1 | Circlip |
| 11 | 449.032.00 | 1 | Screw |
| 12 | 403.010.00 | 1 | Clamp |
| 13 | 449.071.00 | 1 | Screw |
| 14 | 449.072.00 | 1 | Washer |
| 15 | 456.020.00 | 1 | Breather assy |

MADISON 3 - 250 I.E. Euro 3

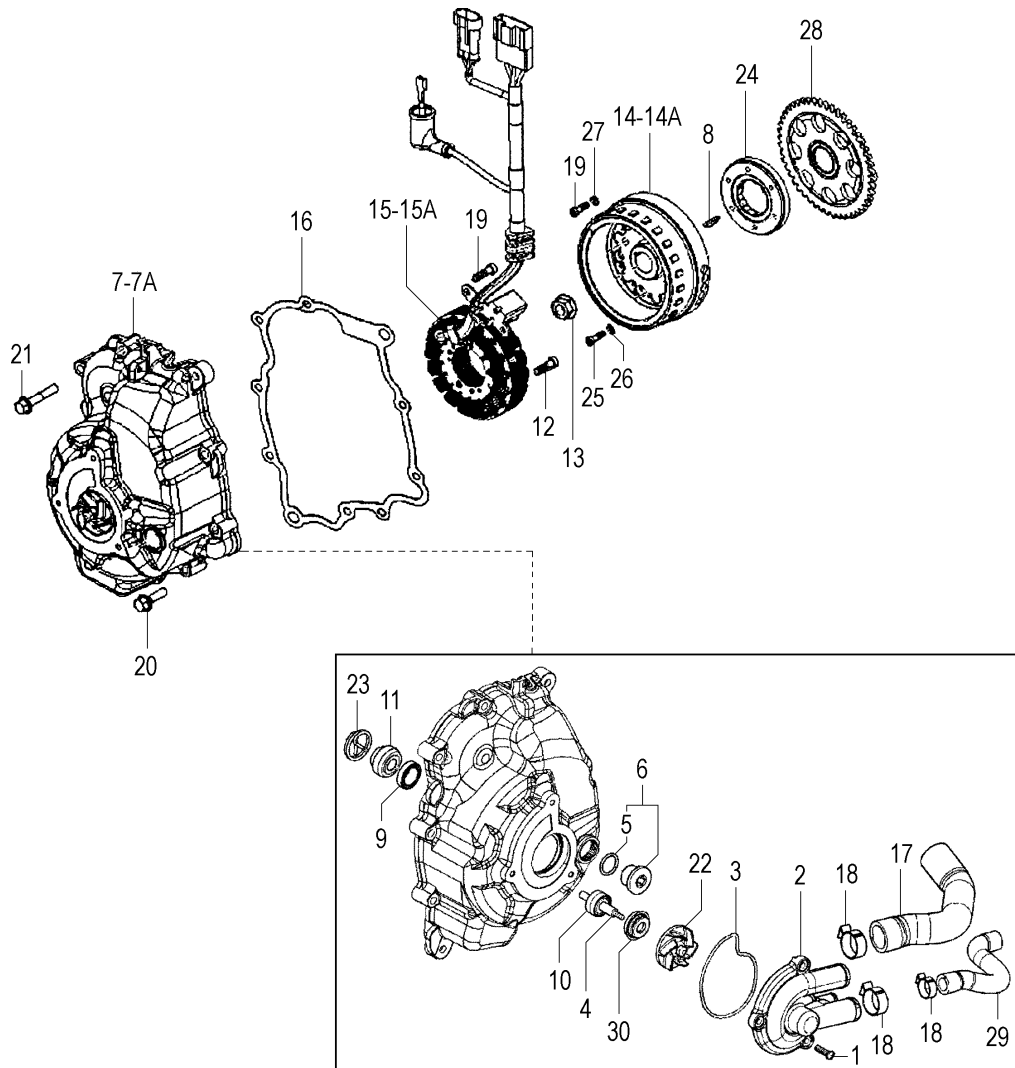
Volano magnete & pompa acqua

Magneto flywheel & water pump



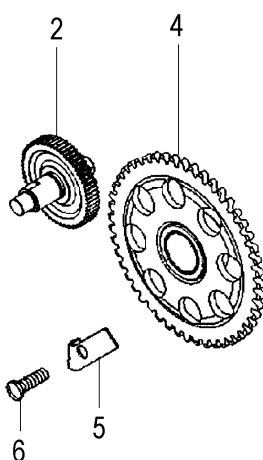
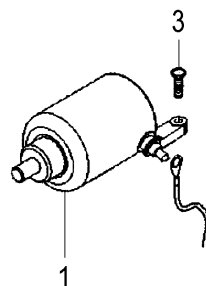
| Nr. | Codice | Q.tà | Descrizione |
|-----|------------|------|----------------------------------|
| 1 | 449.047.00 | 3 | Vite coperchio pompa acqua |
| 2 | 460.030.00 | 1 | Coperchio pompa acqua |
| 3 | 453.024.00 | 1 | O - Ring |
| 4 | 456.050.00 | 1 | Albero pompa acqua |
| 5 | 453.022.00 | 1 | O - Ring |
| 6 | 421.025.00 | 1 | Tappo fasatura volano |
| 7 | 421.054.00 | 1 | Coperchio volano Ø 35 completo |
| 7A | 421.056.00 | 1 | Coperchio volano Ø 36,5 completo |
| 8 | 449.067.00 | 1 | Chiavetta volano |
| 9 | 453.037.00 | 1 | Paraolio pompa acqua |
| 10 | 451.014.00 | 2 | Cuscinetto pompa acqua |
| 11 | 424.010.00 | 1 | Giunto trasmissione |
| 12 | 449.164.00 | 3 | Vite fissaggio statore |
| 13 | 449.065.00 | 1 | Dado fissaggio volano |
| 14 | 482.018.00 | 1 | Rotore completo (per Ø 35) |
| 14A | 482.016.00 | 1 | Rotore completo (per Ø 36,5) |
| 15 | 482.022.00 | 1 | Statore completo Ø 35 |
| 15A | 482.015.00 | 1 | Statore completo Ø 36,5 |
| 16 | 453.036.00 | 1 | Guarnizione coperchio volano |
| 17 | 449.156.00 | 1 | Tubo mandata cilindro |
| 18 | 167.031.00 | 3 | Fascetta |
| 19 | 449.007.00 | 4 | Vite volano - pick up |
| 20 | 449.157.00 | 1 | Vite inferiore coperchio volano |
| 21 | 449.015.00 | 9 | Vite coperchio volano |
| 22 | 456.049.00 | 1 | Girante pompa acqua |

| Nr. | Code | Q.ty | Description |
|-----|------------|------|------------------------------------|
| 1 | 449.047.00 | 3 | Screw |
| 2 | 460.030.00 | 1 | Water pump cover |
| 3 | 453.024.00 | 1 | O - Ring |
| 4 | 456.050.00 | 1 | Water pump shaft |
| 5 | 453.022.00 | 1 | O - Ring |
| 6 | 421.025.00 | 1 | Plug |
| 7 | 421.054.00 | 1 | Magneto flywheel cover assy Ø 35 |
| 7 | 421.056.00 | 1 | Magneto flywheel cover assy Ø 36,5 |
| 8 | 449.067.00 | 1 | Woodruff key |
| 9 | 453.037.00 | 1 | Oil seal |
| 10 | 451.014.00 | 2 | Bearing |
| 11 | 424.010.00 | 1 | Joint |
| 12 | 449.164.00 | 3 | Screw |
| 13 | 449.065.00 | 1 | Nut |
| 14 | 482.018.00 | 1 | Rotor assy (for Ø 35) |
| 14A | 482.016.00 | 1 | Rotor assy (for Ø 36,5) |
| 15 | 482.022.00 | 1 | Stator assy Ø 35 |
| 15A | 482.015.00 | 1 | Stator assy Ø 36,5 |
| 16 | 453.036.00 | 1 | Flywheel cover gasket |
| 17 | 449.156.00 | 1 | Delivery pipe |
| 18 | 167.031.00 | 3 | Clamp |
| 19 | 449.007.00 | 4 | Screw |
| 20 | 449.157.00 | 1 | Screw |
| 21 | 449.015.00 | 9 | Screw |
| 22 | 456.049.00 | 1 | Impeller |

**Volano magnete & pompa acqua
 Magneto flywheel & water pump**


| Nr. | Codice | Q.tà | Descrizione |
|-----|------------|------|---------------------------|
| 23 | 446.005.00 | 1 | Molla traino pompa acqua |
| 24 | 440.041.00 | 1 | Ruota libera completa |
| 25 | 449.163.00 | 6 | Vite volano - corona |
| 26 | 449.064.00 | 6 | Rondella volano - corona |
| 27 | 449.066.00 | 1 | Rondella fissaggio volano |
| 28 | 440.019.00 | 1 | Corona avviamento |
| 29 | 449.158.00 | 1 | Tubo by-pass |
| 30 | 403.020.00 | 1 | Tenuta pompa acqua |

| Nr. | Code | Q.ty | Description |
|-----|------------|------|-------------------|
| 23 | 446.005.00 | 1 | Water pump spring |
| 24 | 440.041.00 | 1 | Free wheel assy |
| 25 | 449.163.00 | 6 | Screw |
| 26 | 449.064.00 | 6 | Washer |
| 27 | 449.066.00 | 1 | Washer |
| 28 | 440.019.00 | 1 | Gear starter |
| 29 | 449.158.00 | 1 | By-pass pipe |
| 30 | 403.020.00 | 1 | Oil seal |

Motorino avviamento
Starter motor


| Nr. | Codice | Q.tà | Descrizione |
|-----|------------|------|----------------------------|
| 1 | 448.003.00 | 1 | Motorino avviamento |
| 2 | 440.018.00 | 1 | Gruppo rinvio avviamento |
| 3 | 449.024.00 | 2 | Bullone fissaggio motorino |
| 4 | 440.019.00 | 1 | Corona avviamento |
| 5 | 426.023.00 | 1 | Lamierino |
| 6 | 449.069.00 | 1 | Vite |

| Nr. | Code | Q.ty | Description |
|-----|------------|------|----------------------|
| 1 | 448.003.00 | 1 | Starter motor assy |
| 2 | 440.018.00 | 1 | Starter motor pinion |
| 3 | 449.024.00 | 2 | Starter motor bolt |
| 4 | 440.019.00 | 1 | Starter gear |
| 5 | 426.023.00 | 1 | Sheet |
| 6 | 449.069.00 | 1 | Screw |